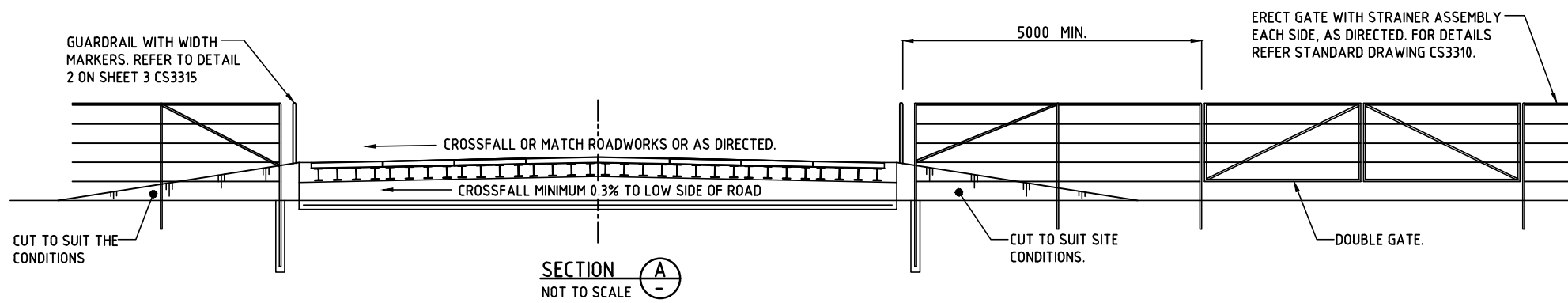
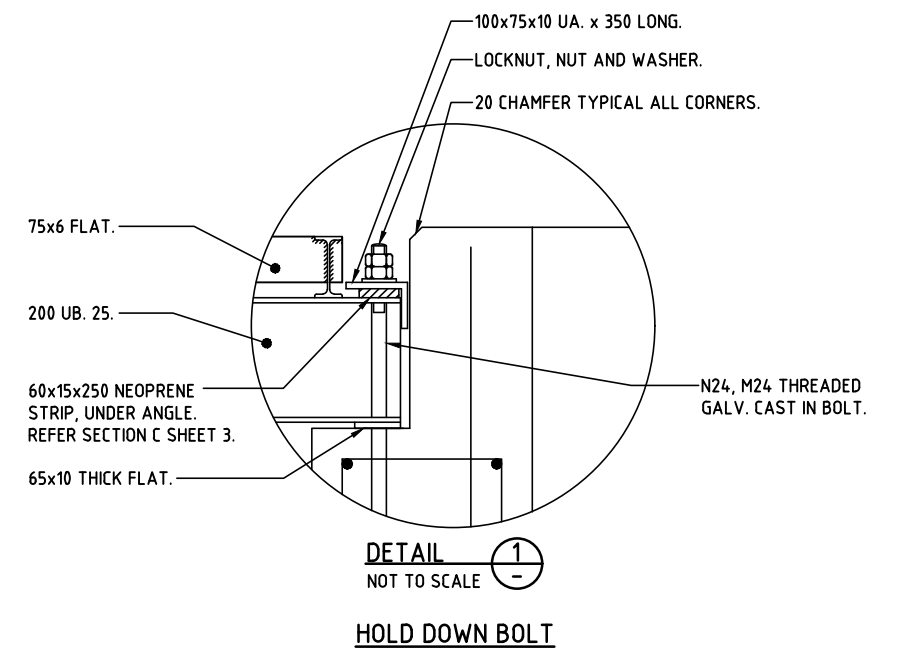
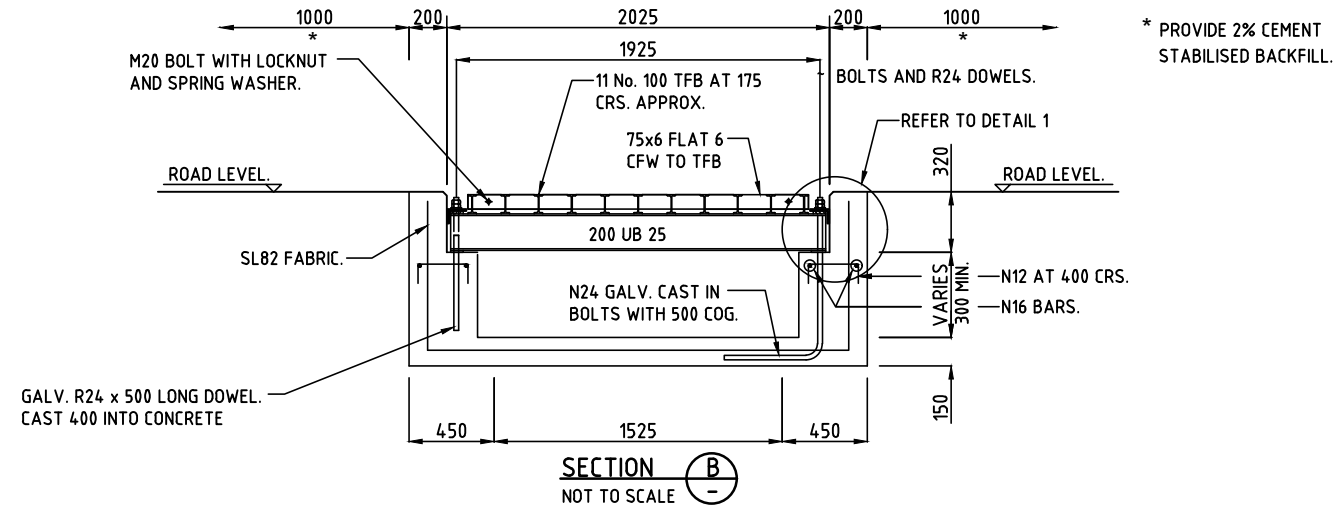


- DENOTES LOCATION OF CAST IN HOLDING DOWN BOLTS.
- DENOTES LOCATION OF LOCATING DOWELS.



- NOTE:
1. READ IN CONJUNCTION WITH CS3313 AND CS3315 DETAILS
 2. ALL DIMENSIONS ARE IN MILLIMETRES UNLESS NOTED OTHERWISE.



WARNING

BEWARE OF UNDERGROUND SERVICES. THE LOCATIONS OF UNDERGROUND SERVICES ARE APPROXIMATE ONLY AND THEIR EXACT POSITION SHOULD BE PROVEN ON SITE. NO GUARANTEE IS GIVEN THAT ALL EXISTING SERVICES ARE SHOWN.

DRAWN J.LEESON	CHECKED S.HATZI
DATE JULY 2017	DATE JULY 2017
DESIGNED G.C.	CHECKED
DATE MAR 1996	DATE
DESIGN LEADER S.HATZI	DESIGN DIRECTOR S.JACKSON
DATE 1/09/2017	DATE 1/09/2017



STANDARD DRAWINGS
KERBING, FENCING & LANDSCAPING

STANDARD CATTLE GRID
PLAN AND SECTIONS WITHOUT APPROACH SLAB

No.	DESCRIPTION	DATE	NAME	DEPT./COMPANY
0	ISSUED AS A STANDARD DRAWING	SEPT 2017	J.LEESON	EES/DIPL
AMENDMENTS				

FILE No.	ASSET No.	SHEET No.	DRAWING No.	AMEND.	SHEET SIZE
-	-	2 OF 3	CS3314	0	A1