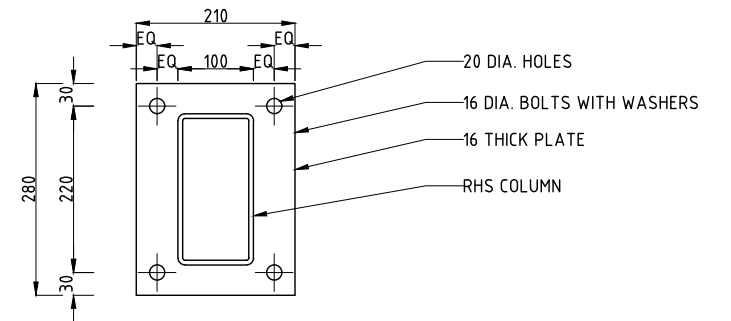


"EB1" DETAIL

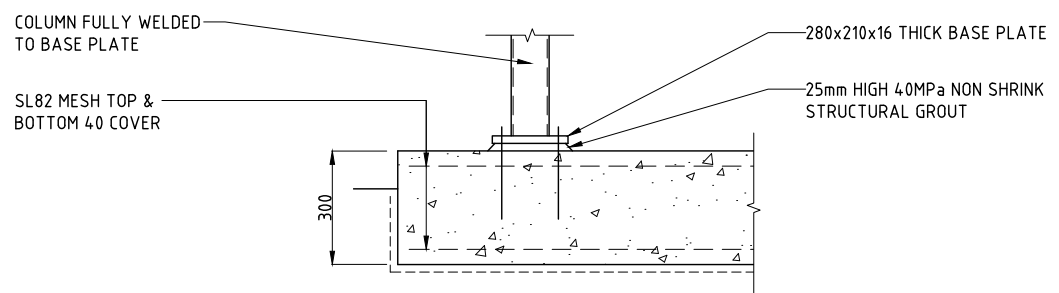
"IB1" DETAIL

SECTION 1
SCALE B



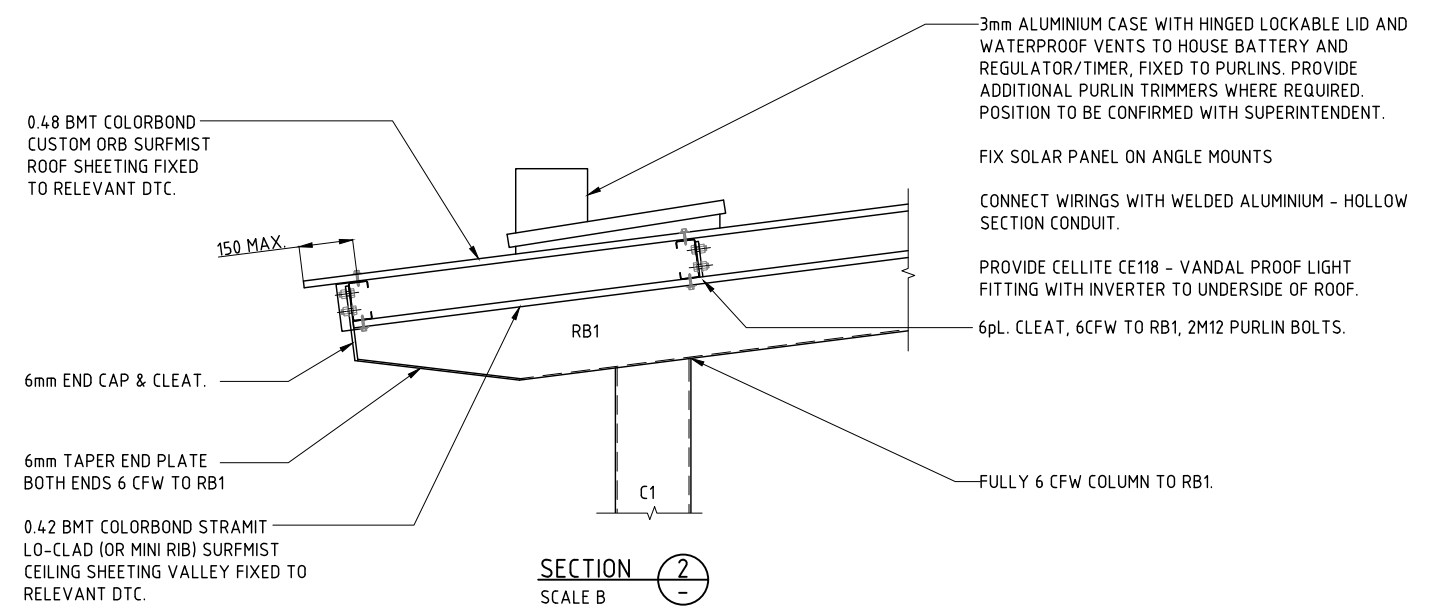
TYPICAL BASE PLATE DETAIL

SCALE A

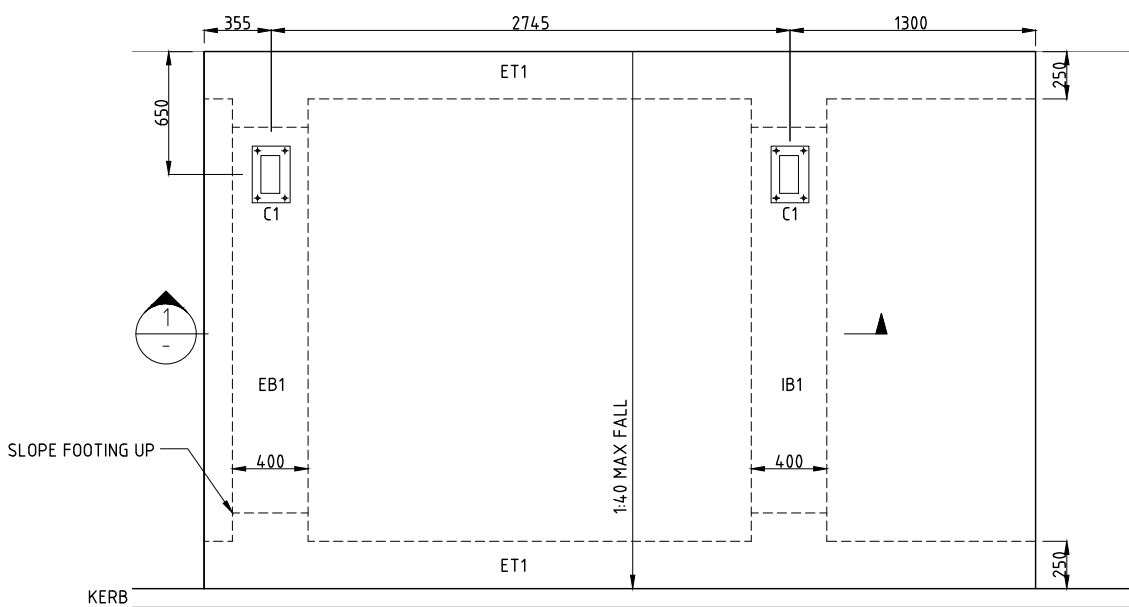


SLAB DETAIL - ALTERNATIVE

SCALE B



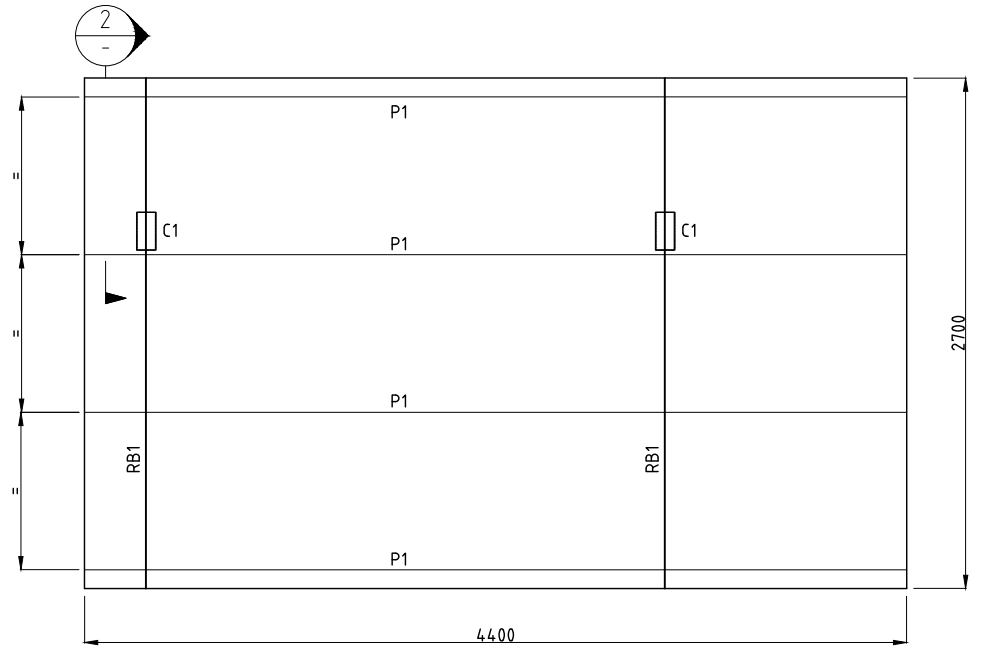
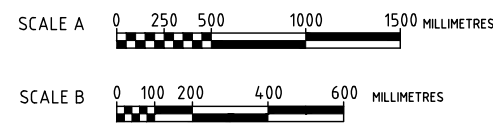
SECTION 2
SCALE B



TYPICAL SLAB PLAN

ALTERNATIVE - 300mm THICK CONCRETE SLAB, SL82 MESH TOP & BOTTOM 40 COVER
SCALE A

MEMBER SCHEDULE	
ET1	250x250 DEEP EDGE THICKENING
IB1	400x400 INTERNAL SLAB BEAM, 2N12 BARS TOP & BOTTOM, R10 LIGS AT NOM 450 CRS 50mm MIN COVER
EB1	400x400 INTERNAL SLAB BEAM, 2N12 BARS TOP & BOTTOM, R10 LIGS AT NOM 450 CRS 50mm MIN COVER
C1	200x100x4 RHS COLUMN
RB1	200x100x4 RHS ROOF BEAM, 6PL END PLATE BOTH ENDS
P1	C10015 PURLIN (G450, Z450)



ROOF PLAN

SCALE A

DRAWING IS TYPICAL ONLY. OBTAIN BUILDING PERMIT BEFORE CONSTRUCTION.

No.	DESCRIPTION	DATE	NAME	DEPT/COMPANY
0	ISSUED AS STANDARD DRAWING	OCT 2018	S.HATZI	EES/DIPL
AMENDMENTS				

WARNING
BEWARE OF UNDERGROUND SERVICES. THE LOCATION OF UNDERGROUND SERVICES ARE APPROXIMATE ONLY AND THEIR EXACT POSITION SHOULD BE PROVEN ON SITE. NO GUARANTEE IS GIVEN THAT ALL EXISTING SERVICES ARE SHOWN.

CONCURRED STRUCTURAL ONLY
NORTHERN TERRITORY GOVERNMENT
DEPARTMENT OF INFRASTRUCTURE, PLANNING & LOGISTICS
Level 4, Highway House, Palmerston Circuit, Palmerston
PO Box 61, Palmerston NT 0831
Signed: *Jorge Mu* 02/10/18
Registration No.: 33896ES

DRAWN	DW	CHECKED	
DATE	18.09.18	DATE	
DESIGNED	JM	CHECKED	
DATE	18.09.18	DATE	
DESIGN LEADER		DESIGN DIRECTOR	
DATE		DATE	



STANDARD DRAWINGS BUS SHELTERS & ASSOCIATED INFRASTRUCTURE				
SHELTER - TYPE 15A (PURLIN ROOF SYSTEM) TYPICAL SLAB & CEILING PLAN				
FILE No.	ASSET No.	SHEET No.	DRAWING No.	AMEND.
-	-	3 OF 4	CS-3727	0
				SHEET SIZE A1