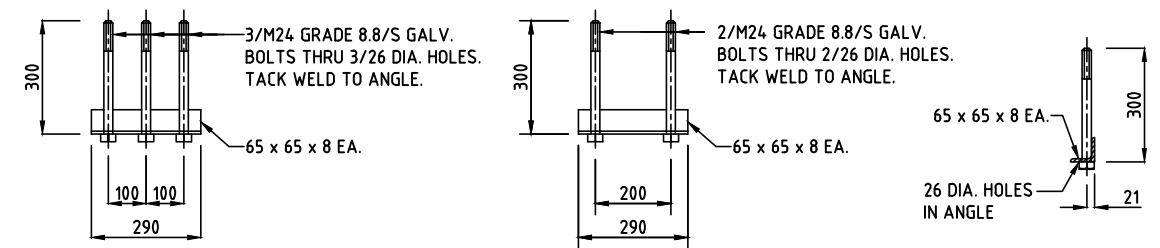
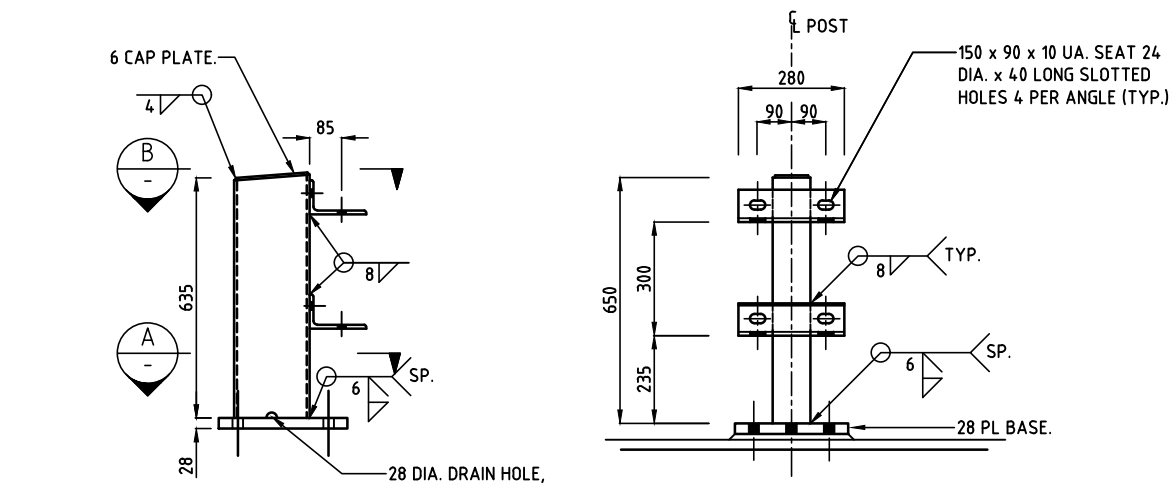


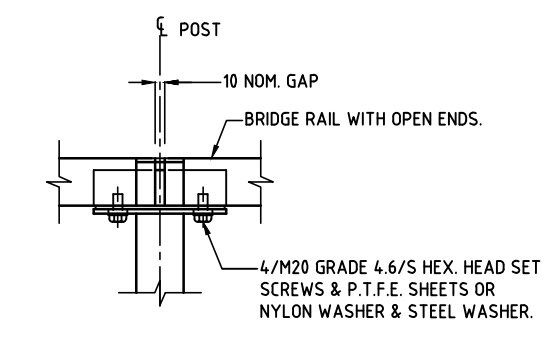
x - DENOTES LOCATION OF 10mm NOMINAL GAP IN BRIDGE RAIL. REFER DETAIL.
 x x - DENOTES LOCATION OF EXPANSION JOINT IN BRIDGE RAIL. REFER DETAIL.
 EJ - EXPANSION JOINT IN BRIDGE DECK.



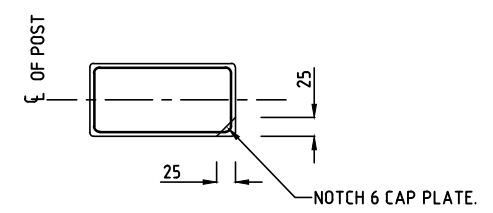
POST ANCHORAGE NOT TO SCALE



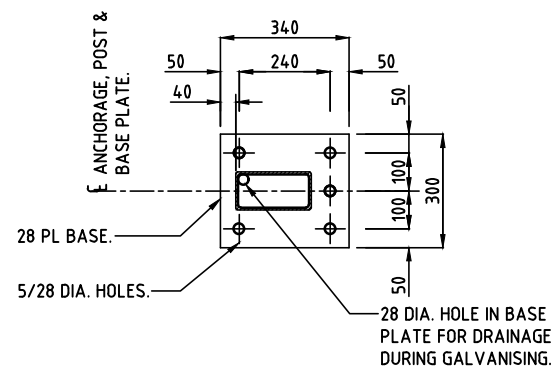
TYPICAL RAIL POST DETAIL NOT TO SCALE



TYPICAL DETAIL - 10mm GAP NOT TO SCALE



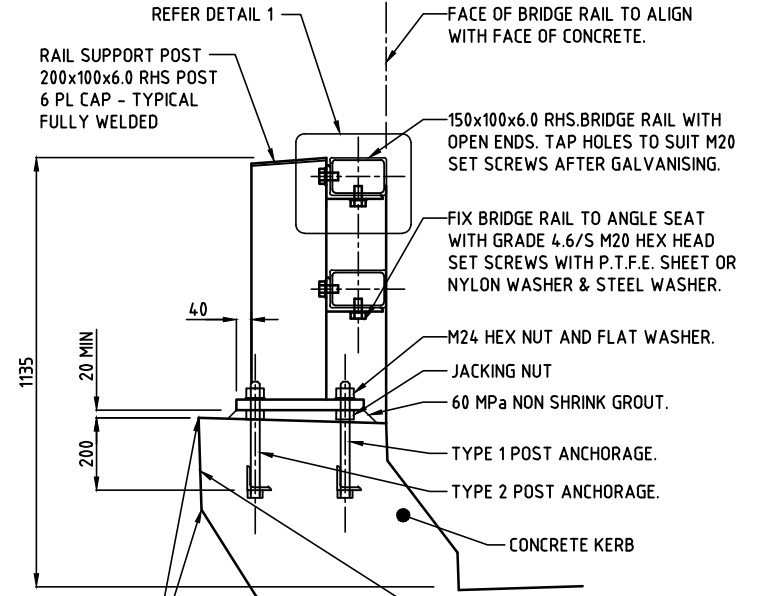
SECTION B NOT TO SCALE



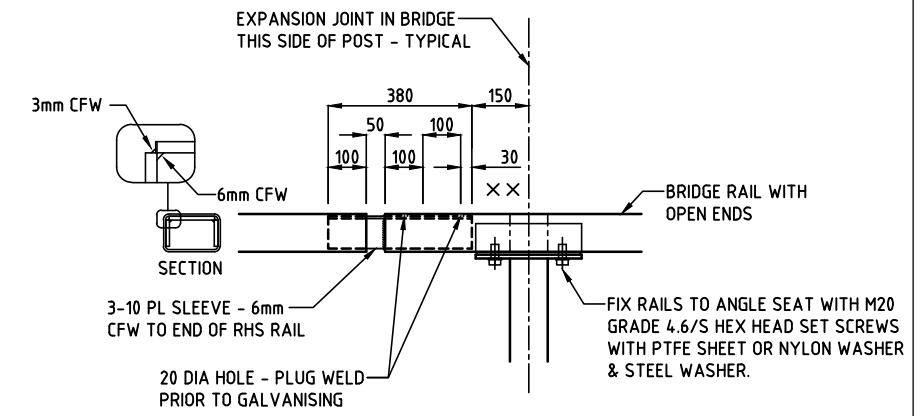
SECTION A NOT TO SCALE

THESE EDGES AND THE RAILS SHALL BE CONSTRUCTED TO GOOD LINE AND LEVEL TO PROVIDE ATTRACTIVE APPEARANCE. FRAMEWORK SHOULD BE ADJUSTED TO ALLOW FOR DEFLECTIONS DUE TO DEAD LOADS AFTER OR AS A RESULT OF CASTING.

NO CONSTRUCTION JOINTS ARE PERMITTED ON THESE EXTERNAL SURFACES.



TYPICAL SECTION NOT TO SCALE



NOTE: SLEEVE TO BE A NEAT, TIGHT FIT TO MATCHING RHS RAIL

TYPICAL DETAIL - RAIL EXPANSION JOINT NOT TO SCALE

- NOTES:
- USE GRADE C350 R.H.S. TO AS 1163-2016.
 - USE GRADE 250 STEEL TO AS 3678-2016 & AS 3679-2016 FOR OTHER STEELWORK.
 - USE GRADE 8.8 HEX. HEAD BOLTS TO AS 1252-2016 AND GRADE 4.6/S SET SCREWS.
 - WELDING SYMBOLS CONFORM TO AS 11013-2005.
 - ALL WELDS TO BE GP CATEGORY UNLESS NOTED OTHERWISE.
 - HOT DIP GALVANISE BOLTS, SET SCREWS AND NUTS TO AS 1214-2016; WASHERS TO AS 1650-1989.
 - ERECT POSTS VERTICALLY AND POSITION TO GIVE SMOOTH LINE OF RAILING.
 - DIMENSIONS FOR RAIL LENGTHS GIVEN ON ELEVATION ARE BASED ON CENTRELINE OF RAIL. ALL LENGTHS OF RAIL ARE TO BE CONFIRMED ON SITE BASED ON ACTUAL POST LOCATIONS.
 - ALL POSTS AND RAILING TO BE HOT DIP GALVANISED AFTER FABRICATION.
 - ELECTRODES FOR WELDING BASE PLATE TO BE E48XX. ELECTRODES FOR OTHER WELDING TO BE E41XX.
 - BRIDGE RAILS MAY BE DRILLED AND TAPPED AFTER GALVANISING. ALL OTHER STEELWORK GALVANISED AFTER FABRICATION.
 - DECK CANTILEVER AND CONNECTION OF KERB TO IT SHALL BE AT LEAST 15% STRONGER THAN THE STRENGTH REQUIRED TO DEVELOP THE DESIGN UPPER-BOUND FULL TENSILE STRENGTH CAPACITY OF THE GUARDRAIL HOLD-DOWN BOLTS.
 - ALL DIMENSIONS ARE IN MILLIMETRES UNLESS NOTED OTHERWISE.

No.	DESCRIPTION	DATE	NAME	DEPT/COMPANY
0	ISSUED AS A STANDARD DRAWING	SEPT 2017	J.LEESON	EES/DIPL
AMENDMENTS				

WARNING
 BEWARE OF UNDERGROUND SERVICES. THE LOCATIONS OF UNDERGROUND SERVICES ARE APPROXIMATE ONLY AND THEIR EXACT POSITION SHOULD BE PROVEN ON SITE. NO GUARANTEE IS GIVEN THAT ALL EXISTING SERVICES ARE SHOWN.

DRAWN J.LEESON	CHECKED S.HATZI
DATE JUNE 2017	DATE JUNE 2017
DESIGNED G.C	CHECKED
DATE NOV 2004	DATE
DESIGN LEADER S.HATZI	DESIGN DIRECTOR S.JACKSON
DATE 1/09/2017	DATE 1/09/2017



STANDARD DRAWINGS SAFETY BARRIERS		TYPICAL BRIDGE RAIL DETAILS	
FILE No.	ASSET No.	SHEET No.	DRAWING No.
-	-	1 OF 1	CS3202
AMEND.	SHEET SIZE		
0	A1		