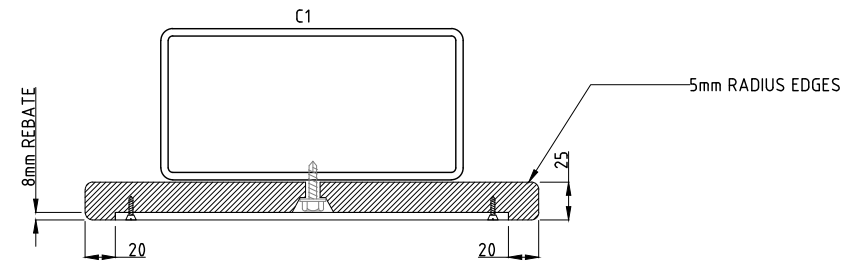
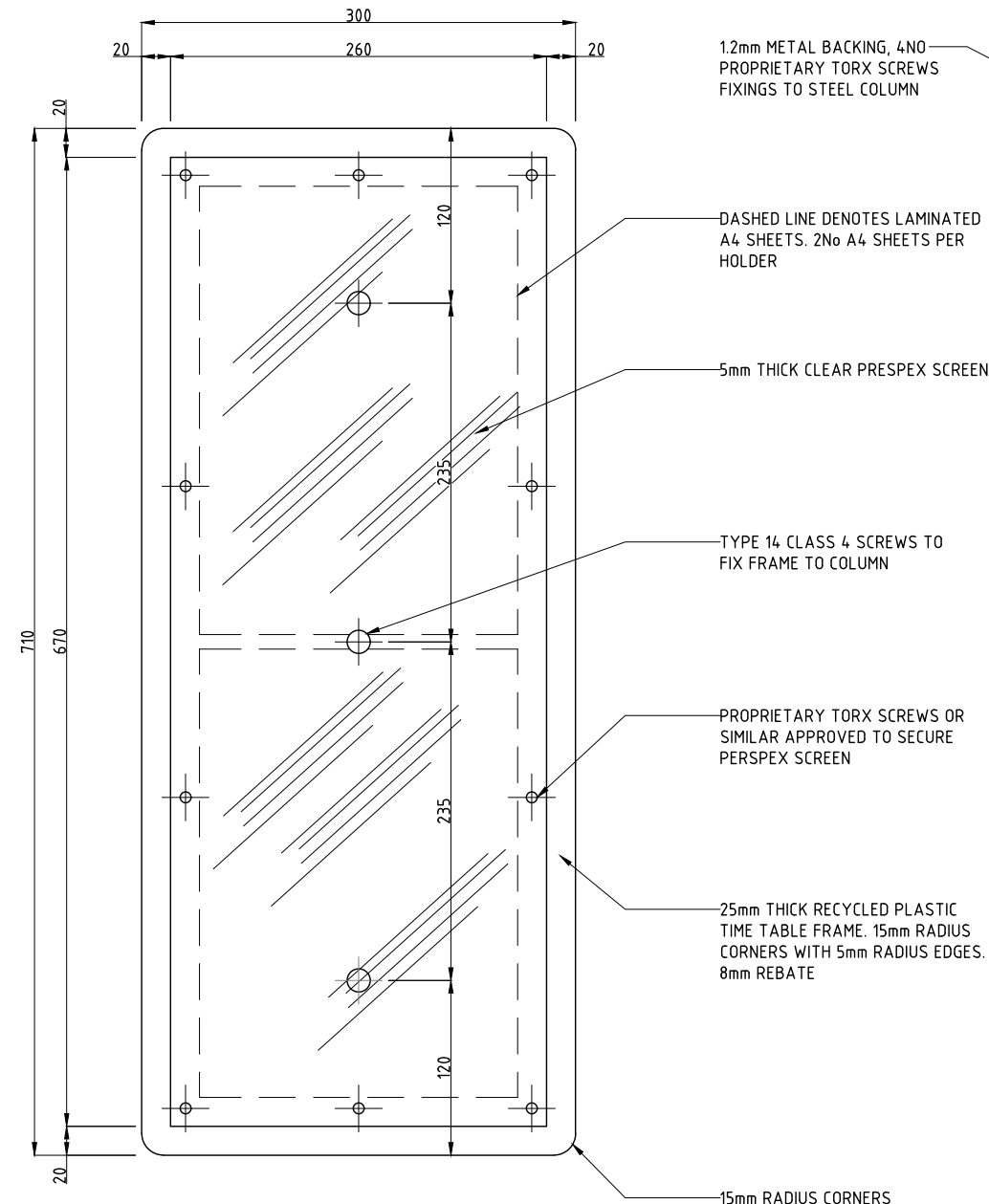
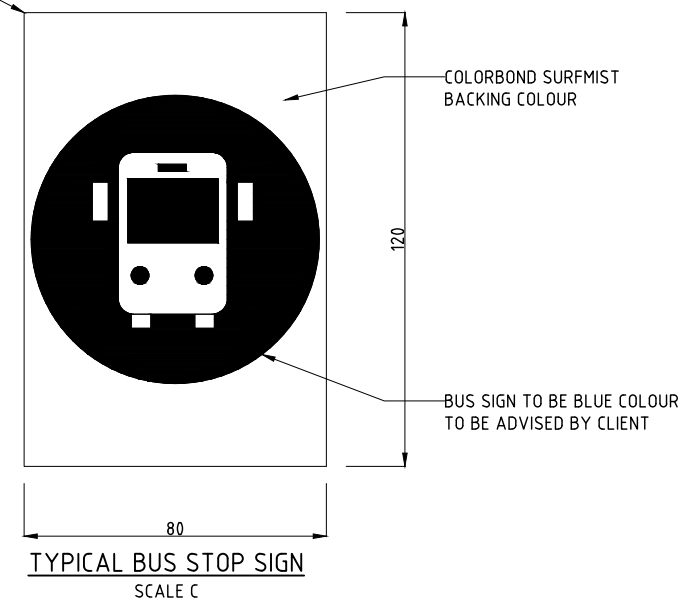


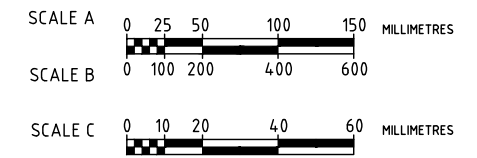
TYPICAL SEAT DETAIL
SCALE B
TYPICAL COLOUR TO POST AND FRAME AUS STD N24 - SILVER GREY



TYPICAL TIME TABLE HOLDER DETAIL
SCALE A



TYPICAL BUS STOP SIGN
SCALE C



DRAWING IS TYPICAL ONLY. OBTAIN BUILDING PERMIT BEFORE CONSTRUCTION.

No.	DESCRIPTION	DATE	NAME	DEPT/COMPANY
0	ISSUED AS STANDARD DRAWING	OCT 2018	S.HATZI	EES/DIPL
AMENDMENTS				

WARNING
BEWARE OF UNDERGROUND SERVICES. THE LOCATION OF UNDERGROUND SERVICES ARE APPROXIMATE ONLY AND THEIR EXACT POSITION SHOULD BE PROVEN ON SITE. NO GUARANTEE IS GIVEN THAT ALL EXISTING SERVICES ARE SHOWN.

CONCURRED STRUCTURAL ONLY
NORTHERN TERRITORY GOVERNMENT
DEPARTMENT OF INFRASTRUCTURE, PLANNING & LOGISTICS
Level 4, Highway House, Palmerston Circuit, Palmerston
PO Box 61, Palmerston NT 0831
Signed: *Jorge Mu* 02/10/18
Registration No.: 33896ES

DRAWN	DW	CHECKED	
DATE	18.09.18	DATE	
DESIGNED	JM	CHECKED	
DATE	18.09.18	DATE	
DESIGN LEADER		DESIGN DIRECTOR	
DATE		DATE	



STANDARD DRAWINGS BUS SHELTERS & ASSOCIATED INFRASTRUCTURE				
SHELTER - TYPE 15A (PURLIN ROOF SYSTEM) MISCELLANEOUS DETAILS				
FILE No.	ASSET No.	SHEET No.	DRAWING No.	AMEND.
-	-	4 OF 4	CS-3728	0
				SHEET SIZE A1