

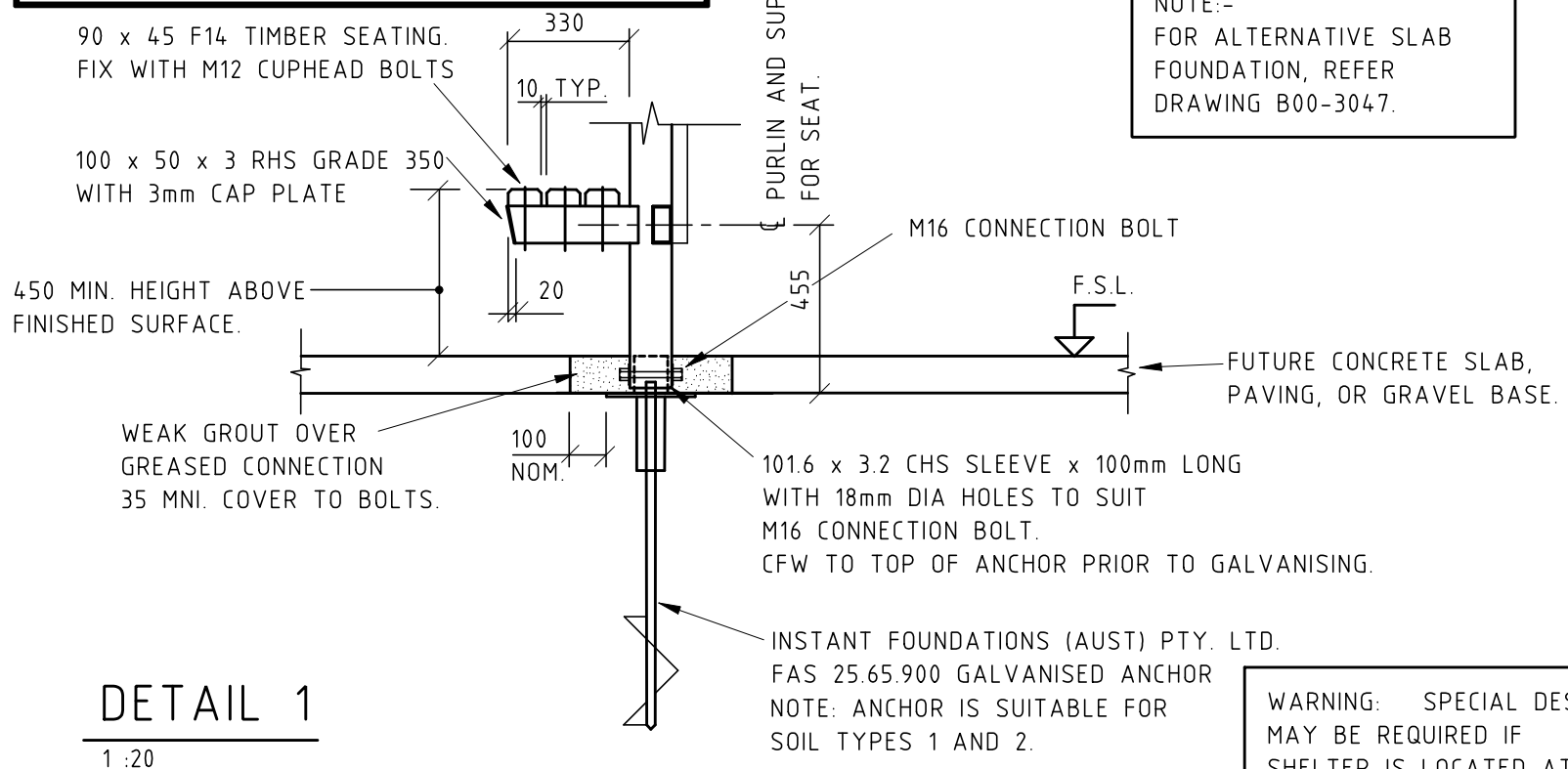
**NOTES**

- GENERAL**
- G1 CONFIRM LOCATION OF SERVICES PRIOR TO COMMENCING ANY EXCAVATION.
  - G2 FOR ALTERNATIVE FOUNDATION TYPES, CONSULT STRUCTURAL ENGINEER.
  - G3 ENSURE ADEQUATE MEASURES ARE UNDERTAKEN WHEN LIFTING ASSEMBLED MODULE TO AVOID DAMAGE TO PROTECTIVE COATING OR TO SHEETING
  - G4 DEAD WEIGHT OF ASSEMBLED MODULE, EXCLUDING FOOTINGS, IS APPROX.370 Kg.
- DESIGN INFORMATION**
- D1 DEAD AND LIVE LOADS HAVE BEEN CALCULATED IN ACCORDANCE WITH AS1170.1.
  - D2 WIND LOADS HAVE BEEN CALCULATED IN ACCORDANCE WITH AS1170.2 FOR REGION C TERRAIN CATEGORY 2. (Ms = Mt = 1.0. Mi = 0.9)
  - D3 FOUNDATIONS ARE BASED ON THE FOLLOWING:  
SOIL TYPE 1:- MEDIUM TO DENSE CLAY, OR SOFT ROCK.  
SOIL TYPE 2:- MEDIUM TO DENSE SANDS  
IF OTHER SOIL TYPES ENCOUNTERED, CONSULT STRUCTURAL ENGINEER.
- CONCRETE**
- C1 COMPLY WITH AS3600 AND ALL REFERENCE STANDARDS
  - C2 ALL CONCRETE TO BE GRADE N20 U.N.O.
  - C3. ALL REINFORCEMENT TO BE GRADE 400Y TO AS1302, COVER = 50mm U.N.O.
- TIMBER**
- T1 COMPLY WITH AS1720 AND ALL REFERENCE STANDARDS.
  - T2 ALL TIMBER TO BE GRADE F14 HARDWOOD TO AS2878 U.N.O.
  - T3 ALL DECKING TO BE FROM DRESSED SELANGUMUM BATU TIMBER SANDED SOOTH & FREE OF SPLINTERS, WITH CHAMFERED EDGES
- STRUCTURAL STEELWORK**
- S1 COMPLY WITH AS4100 AND ALL REFERENCE STANDARDS
  - S2 ALL WELDS TO BE 5mm CONTINUOUS FILLET WELDS TYPE GP FOR FULL PERIMETER OF CONTACT U.N.O.
  - S3 ALL STEELWORK TO BE GRADE 250 MINIMUM U.N.O.
  - S4 ALL BOLTS TO BE GRADE 4.6/S TO AS1111 U.N.O.
  - S5 ALL BOLTS, NUTS AND WASHERS TO BE HOT DIPPED GALVANISED TO AS4680.
  - S6 ALL BOLT HOLES TO BE BOLT DIAMETER + 2mm U.N.O.
  - S7 ALL STEELWORK TO HAVE THE FOLLOWING SURFACE PROTECTIVE COATING :-  
DEGREASE SURFACE TO AS1627.1 THEN ABRASIVE BLAST CLEAN TO AS1627.4 CLASS 2.5 COATING: 2 COATS OF DULUX DUREBILD STE, 100 MICRONS DFT EACH COAT.  
COLOUR TO BE ADVISED.
  - S8 MAKE GOOD COLORBOND FINISH ON ALL CUT SHEETS.
  - S9 PREFINISH EXPOSED SHEETING FASTENERS WITH AN OVEN BAKED POLYMER COATING TO MATCH THE COLORBOND FINISH.

**INSTALLATION COST INCLUDES:**

1. ONE PRECAST CONCRETE EXPOSED AGGREGATE BIN WITH FIBRE GLASS LID AS MANUFACTURED BY CSR HUMES.
2. ONE TIME TABLE OF BUS ROUTES CONSIST OF  
- 920x660 COLOURBOND SHEET COVERED WITH 3mm LEXAN SHEET WITH 5mm DIA. HOLES PREDRILLED 15mm FROM EDGE. SHEETS SECURED TO BACKING WITH TAMPER PROOF FASTENERS.

**NOTE:-**  
FOR ALTERNATIVE SLAB FOUNDATION, REFER DRAWING B00-3047.



THIS DRAWING IS REPRODUCED FROM APPROVED DRAWING B93-3625 D.			DRAWN S.H.W. DATE June 2006 DESIGNED - DATE June 2006 DESIGN PROJECT LEADER DATE	CHECKED DATE CHECKED DATE PROJECT OFFICER DATE	<p>Northern Territory Government Department of Planning and Infrastructure</p>	<b>DARWIN REGION STANDARD SINGLE BAY BUS SHELTER MODULE (WIND REGION C, TERRAIN CATEGORY 2.)</b>			
1	TYPICAL SECTION CROSSFALL OF CONCRETE SLAB ADDED	FEB 2007	K.S.	FILE No.		ASSET No.	SHEET No. 1 OF 1	DRAWING No. C(S)2201 - 1	AMEND.