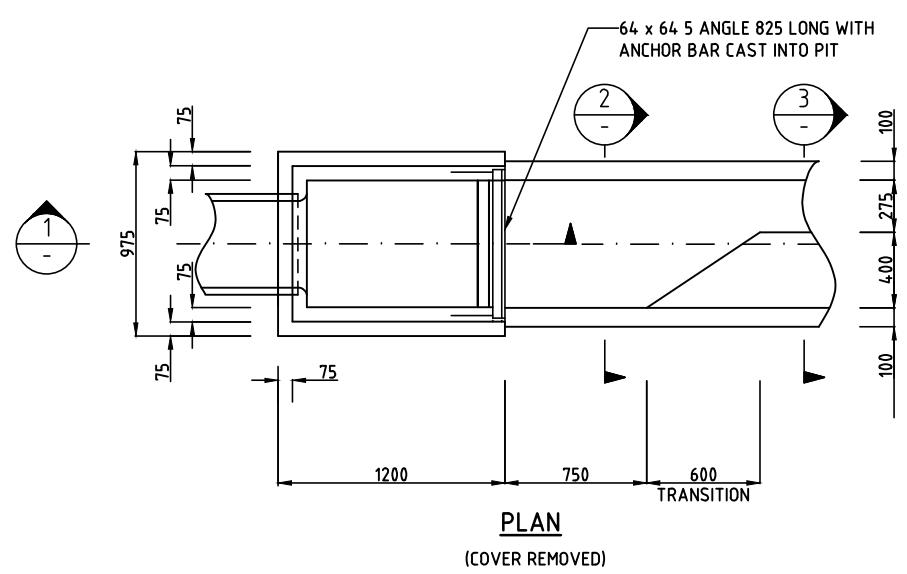
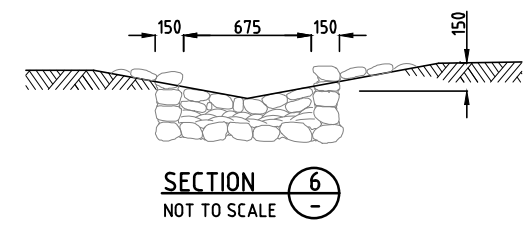
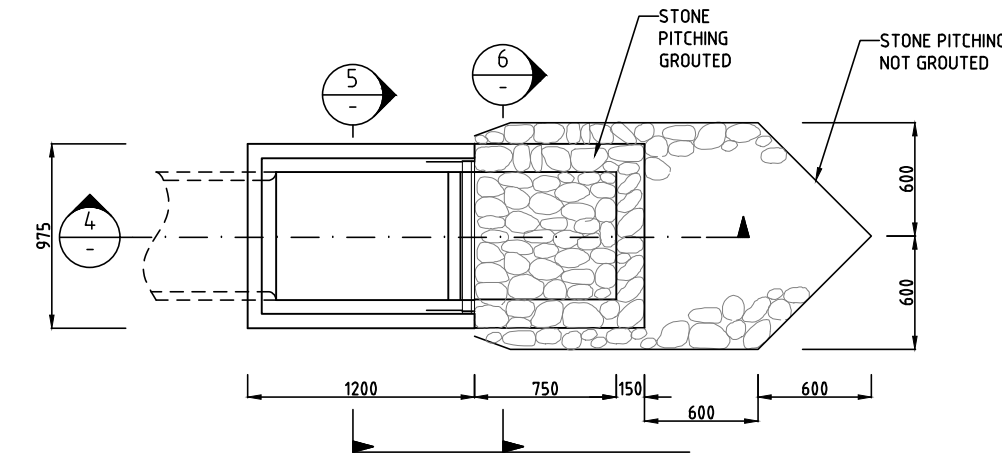
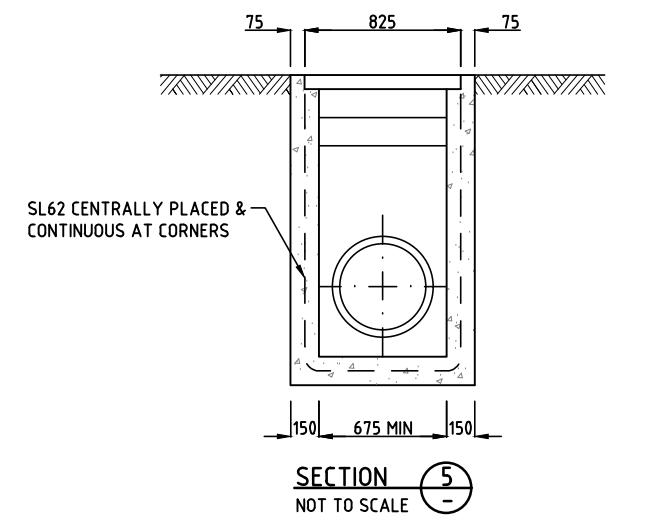
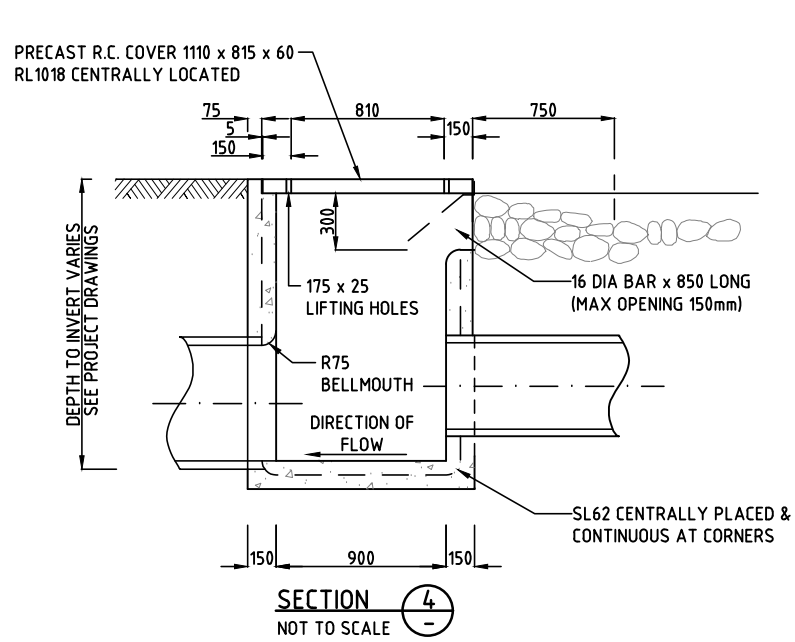
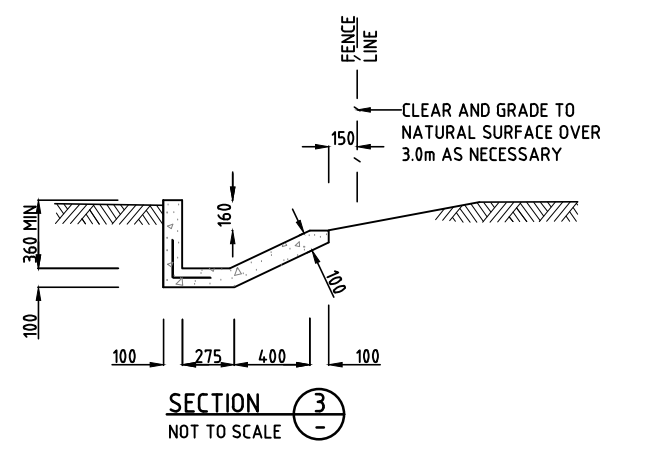
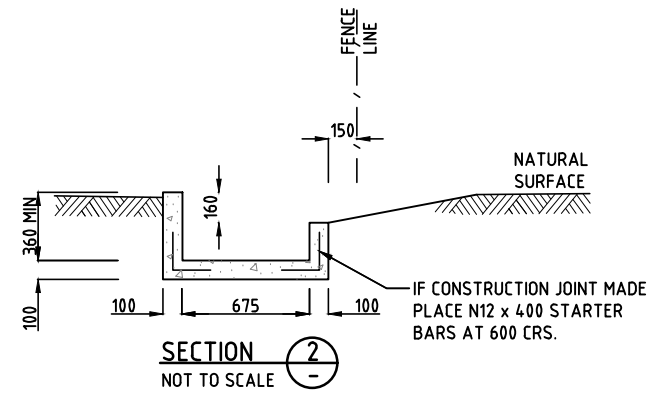


NOTE:
DEPTH OF CATCH DRAIN MAY VARY
REFER CONTRACT DRAWINGS



LETTERBOX PIT (SINGLE ENTRY) & CATCH DRAIN

LETTERBOX PIT (SINGLE ENTRY) & STONE PITCHED GULLY

- NOTES:**
- REFER PROJECT DRAWINGS FOR ACTUAL PIPE LOCATION, ARRANGEMENTS.
 - STEP IRONS (SEE DETAIL) TO BE CAST INSITU AT 300 CTS. DEPTH TO TOP STEP & DEPTH FROM BOTTOM STEP TO INVERT NOT TO EXCEED 500mm.
 - USE N25 CONCRETE TO AS 1379-2007 AND AS 3600-2009. FOR ANY PATCHING OF PITS USE MORTAR MIXED WITH 'LOKCRETE' OR SIMILAR.
 - FIBRECRETE CONCRETE MAY BE USED HOWEVER IF USED WITHOUT SEPARATE WALL REINFORCEMENT THEN ENGINEERING OF WALL THICKNESS IS REQUIRED.
 - ALL STEELWORK TO BE CLEANED AFTER FABRICATION & HOT DIPPED GALVANISED.
 - PROVIDE STABILISED BACKFILL ADJACENT TO ALL DRAINAGE STRUCTURES IN ACCORDANCE WITH DEPARTMENT OF INFRASTRUCTURE STANDARD SPECIFICATION.
 - ALL DIMENSIONS ARE IN MILLIMETRES UNLESS NOTED OTHERWISE.

No.	DESCRIPTION	DATE	NAME	DEPT/COMPANY
0	ISSUED AS A STANDARD DRAWING	SEPT 2017	J.LEESON	EES/DIPL
AMENDMENTS				

WARNING
BEWARE OF UNDERGROUND SERVICES.
THE LOCATIONS OF UNDERGROUND SERVICES ARE APPROXIMATE ONLY AND THEIR EXACT POSITION SHOULD BE PROVEN ON SITE. NO GUARANTEE IS GIVEN THAT ALL EXISTING SERVICES ARE SHOWN.

DRAWN J.LEESON	CHECKED S.HATZI
DATE AUG 2017	DATE AUG 2017
DESIGNED	CHECKED S.DAVIS
DATE	DATE JUNE 2000
DESIGN LEADER S.HATZI	DESIGN DIRECTOR S.JACKSON
DATE 1/09/2017	DATE 1/09/2017



STANDARD DRAWINGS DRAINAGE				
CATCH DRAIN AND LETTER BOX PIT				
FILE No.	ASSET No.	SHEET No.	DRAWING No.	AMEND.
-	-	1 OF 1	CS3120	0
				SHEET SIZE A1