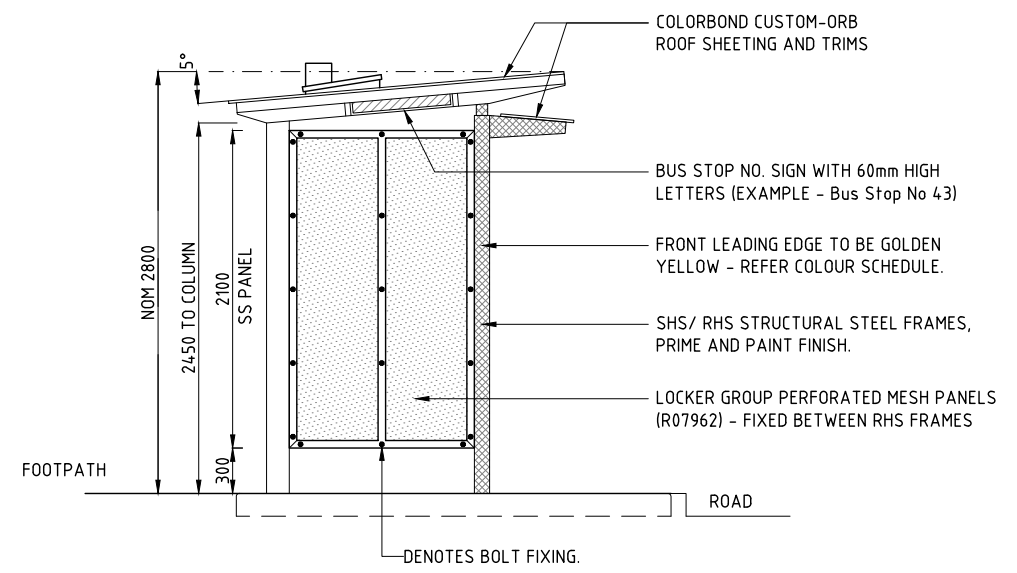


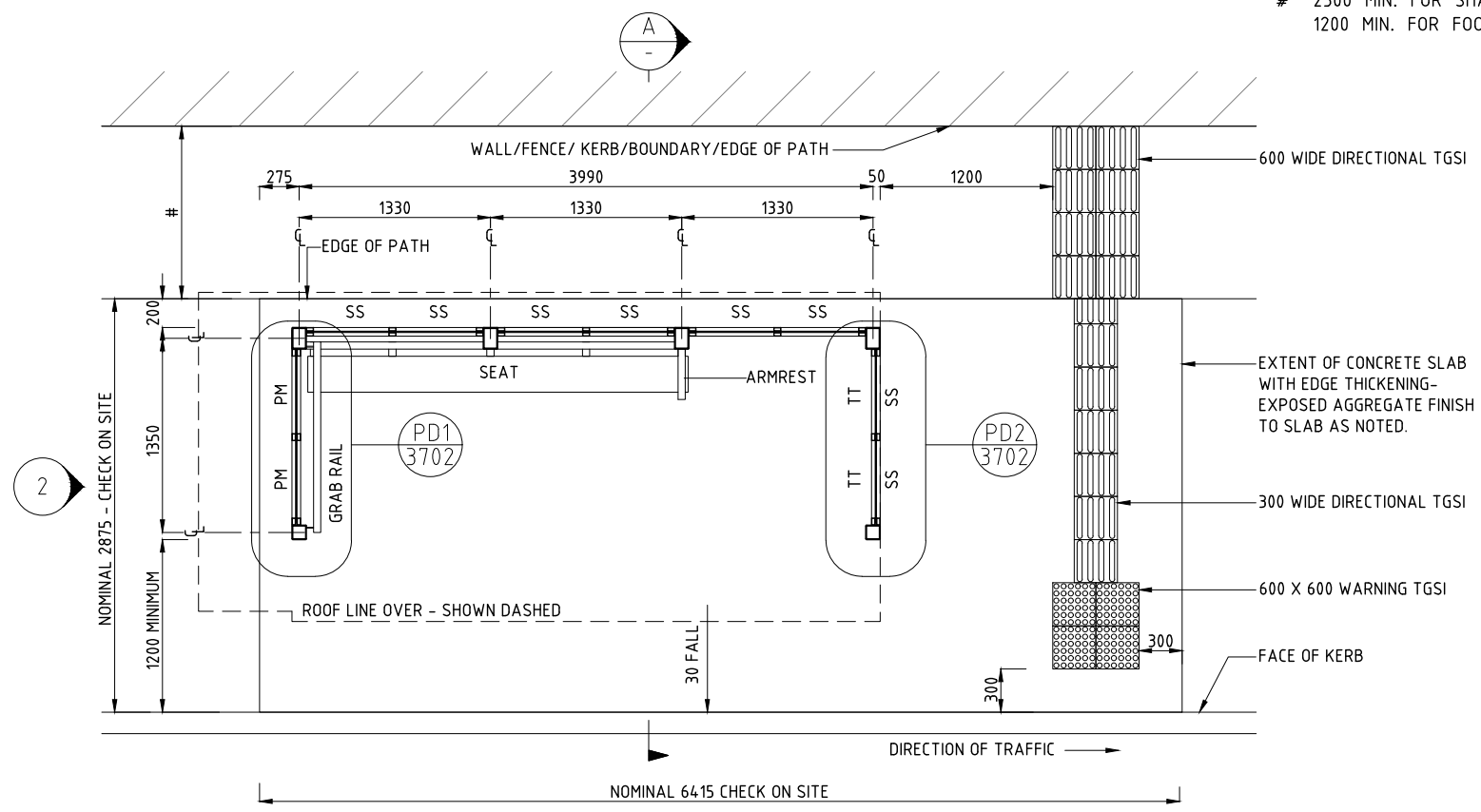
TYPICAL FRONT ELEVATION 1
SCALE A



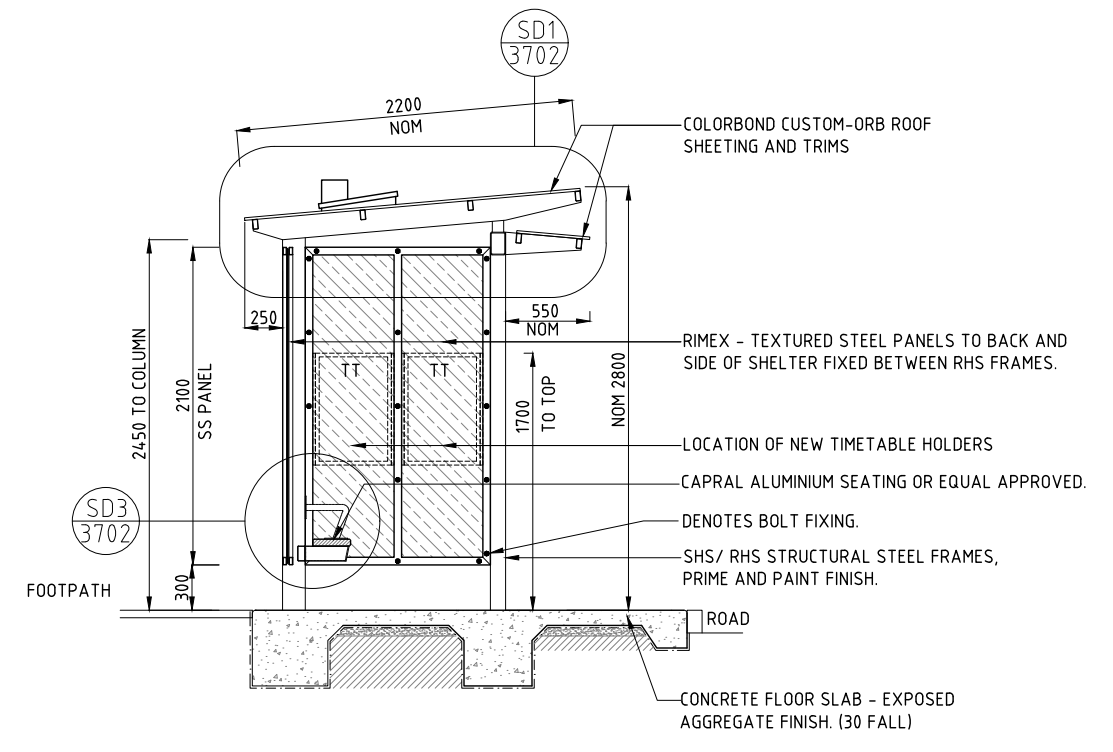
TYPICAL SIDE ELEVATION 2
SCALE A

- LEGEND**
- SS 2.0mm THICK RIMEX 6WL TEXTURED MILD STEEL PANEL OR EQUAL APPROVED. PAINT FINISH.
 - PM 2mm THICK LOCKER GROUP PERFORATED MESH SHEET (R07962)
 - TT LOCATION OF NEW TIMETABLE HOLDER
 - TGSI TACTILE GROUND SURFACE INDICATORS
 - # 2500 MIN. FOR SHARED PATH
1200 MIN. FOR FOOTPATH

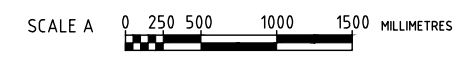
CONCURRED STRUCTURAL ONLY
 NORTHERN TERRITORY GOVERNMENT
 DEPARTMENT OF INFRASTRUCTURE, PLANNING & LOGISTICS
 Level 4, Highway House, Palmerston Circuit, Palmerston
 PO Box 61, Palmerston NT 0831
 Signed: *Jorge Mu* 02/10/18
 Registration No.: 33896ES



TYPICAL PLAN 1
SCALE A



TYPICAL SECTION A
SCALE A



DRAWING IS TYPICAL ONLY. OBTAIN BUILDING PERMIT BEFORE CONSTRUCTION.

No.	DESCRIPTION	DATE	NAME	DEPT./COMPANY
2	MINOR AMENDMENT	OCT 2018	N.V.	EES/DIPL
1	MINOR AMENDMENT	APR 2018	N.V.	EES/DIPL
0	ISSUED AS A STANDARD DRAWING	SEPT 2017	J.LEESON	EES/DIPL
AMENDMENTS				

WARNING
 BEWARE OF UNDERGROUND SERVICES.
 THE LOCATIONS OF UNDERGROUND SERVICES ARE APPROXIMATE ONLY AND THEIR EXACT POSITION SHOULD BE PROVEN ON SITE. NO GUARANTEE IS GIVEN THAT ALL EXISTING SERVICES ARE SHOWN.

DRAWN	CARDNO	CHECKED	CARDNO
DATE	14.02.17	DATE	14.02.17
DESIGNED	CARDNO	CHECKED	CARDNO
DATE	14.02.17	DATE	14.02.17
DESIGN LEADER	S.HATZI	DESIGN DIRECTOR	S.JACKSON
DATE	15/09/2017	DATE	15/09/2017



FILE No.	ASSET No.	SHEET No.	DRAWING No.	AMEND.	SHEET SIZE
-	-	2 OF 6	CS-3701	2	A1

STANDARD DRAWINGS
 BUS SHELTERS & ASSOCIATED INFRASTRUCTURE
SHELTER - TYPE 14A - 3 BAY
 TYPICAL PLAN, ELEVATION & SECTION