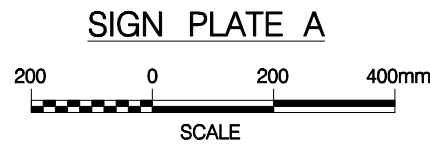
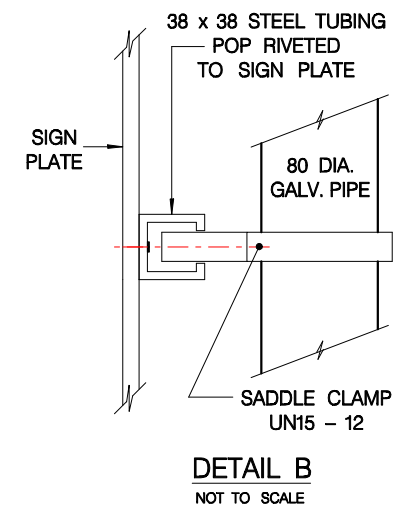
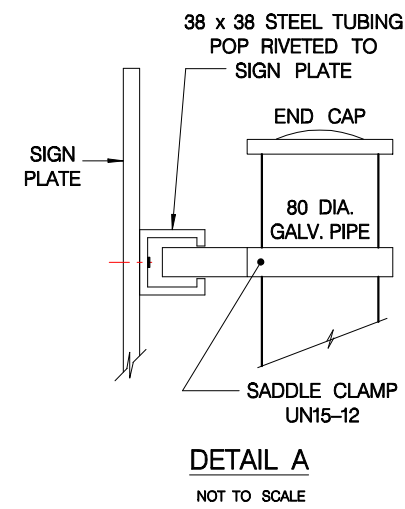
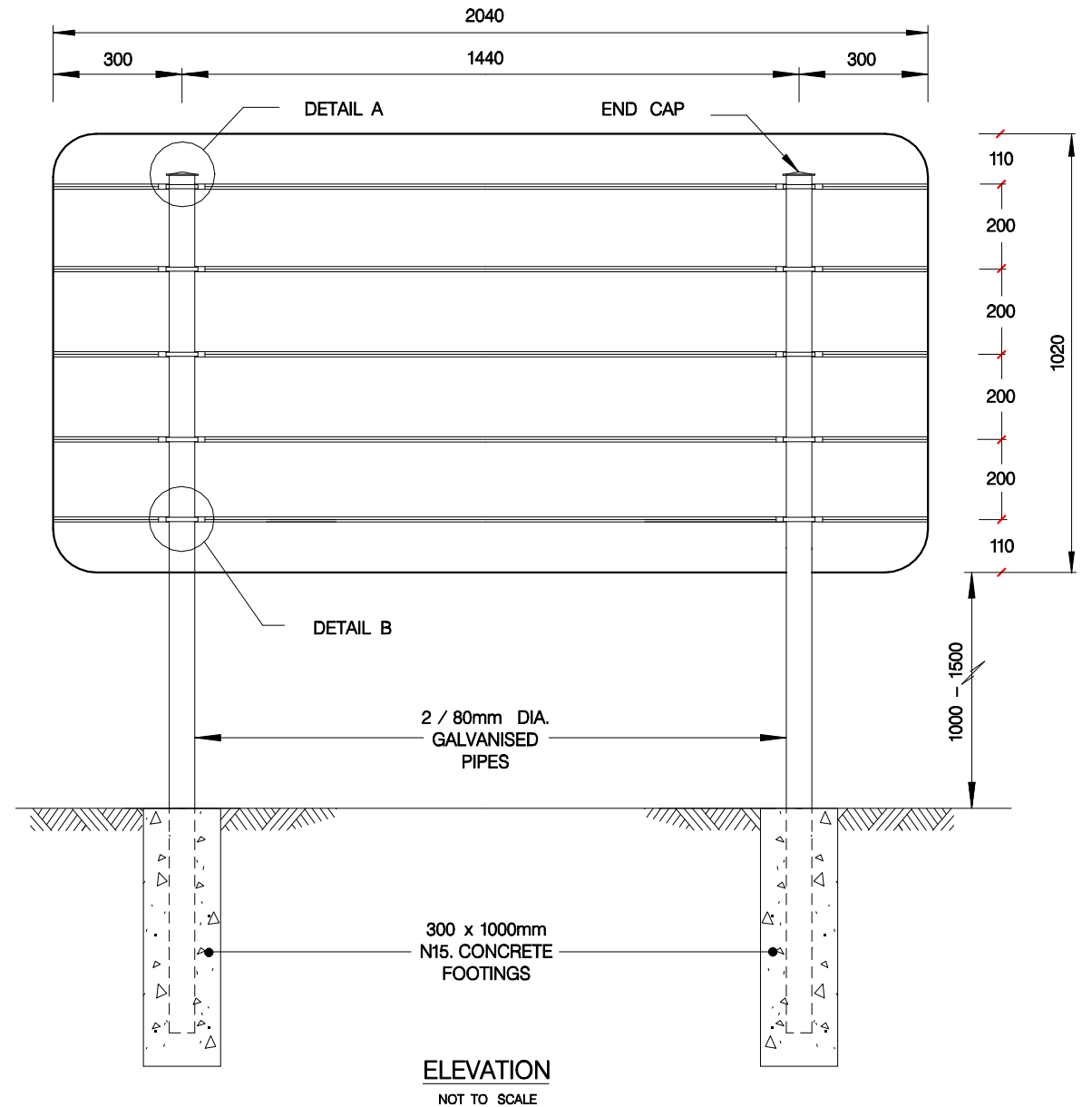
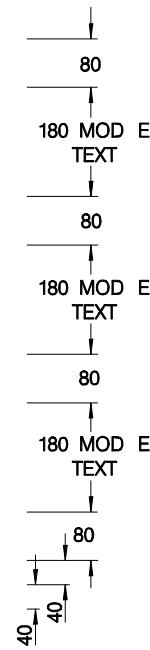


FILE: 13 MAY 2008 X:\CIVIL STANDARD DRAWINGS/TRAFFIC/1600 SERIES STANDARDS/C(S)1612 - 0.DGN



NOTES

1. ALL DIMENSIONS ARE IN MILLIMETRES.
2. BACKGROUND OF SIGN TO BE RED CLASS 1 IN COLOR.
3. WORDING AND BORDER TO BE WHITE CLASS 1 IN COLOUR
4. THE SIGN IS TO BE BRACED WITH 38mm x 38mm STEEL TUBING OR SIMILAR MATERIAL FIXING OF SHEET TO BRACING TO BE DETERMINED BY THE MANUFACTURER.
5. HEIGHT - SIGN BOARD TO BE 1000 TO 1500 mm FROM GROUND.
6. PLATE SIZE TO REMAIN THE SAME REGARDLESS OF SPEED LIMIT AHEAD.
7. THE NOTICE BOARD IS TO BE ERECTED IN ACCORDANCE WITH THE FOLLOWING SPECIFICATION:
 - A) POSTS - i) SIGN TO BE SUPPORTED BY 2 / 80mm DIA. GALVANISED PIPES
- ii) POST SPACING TO BE 0.6m MAX. x WIDTH OF SIGN.
 - B) BOARD TO POST ATTACHMENTS:
 - i) POSTS SHOULD BE IN CONTACT WITH SIGN SHEETING BRACING OVER THE FULL HEIGHT OF THE SIGN.
 - ii) SPOT WELDING OR BOLTING TO BRACING OR ATTACHMENTS APPROVED BY THE SUPERINTENDANT SHOULD BE USED.
 - C) FOOTING DETAIL:
 - i) POST HOLES TO BE 300mm DIA. AND 1000mm DEEP. THIS MAY BE MODIFIED IN ROCK AS DETERMINED BY THE SUPERINTENDANT.
 - ii) POSTS TO BE SET IN N15. CONCRETE.



DRAWN	K.S.	CHECKED	
DATE	FEB 2008	DATE	
DESIGNED		CHECKED	
DATE		DATE	
DESIGN PROJECT LEADER		PROJECT OFFICER	
DATE	18 JUNE 2002	DATE	



NORTHERN TERRITORY
STANDARD SPEED LIMIT SIGN

FILE No.	SHEET No.	DRAWING NUMBER	AMEND.	SHEET SIZE
	1 OF 1	C(S)1612-0		A1