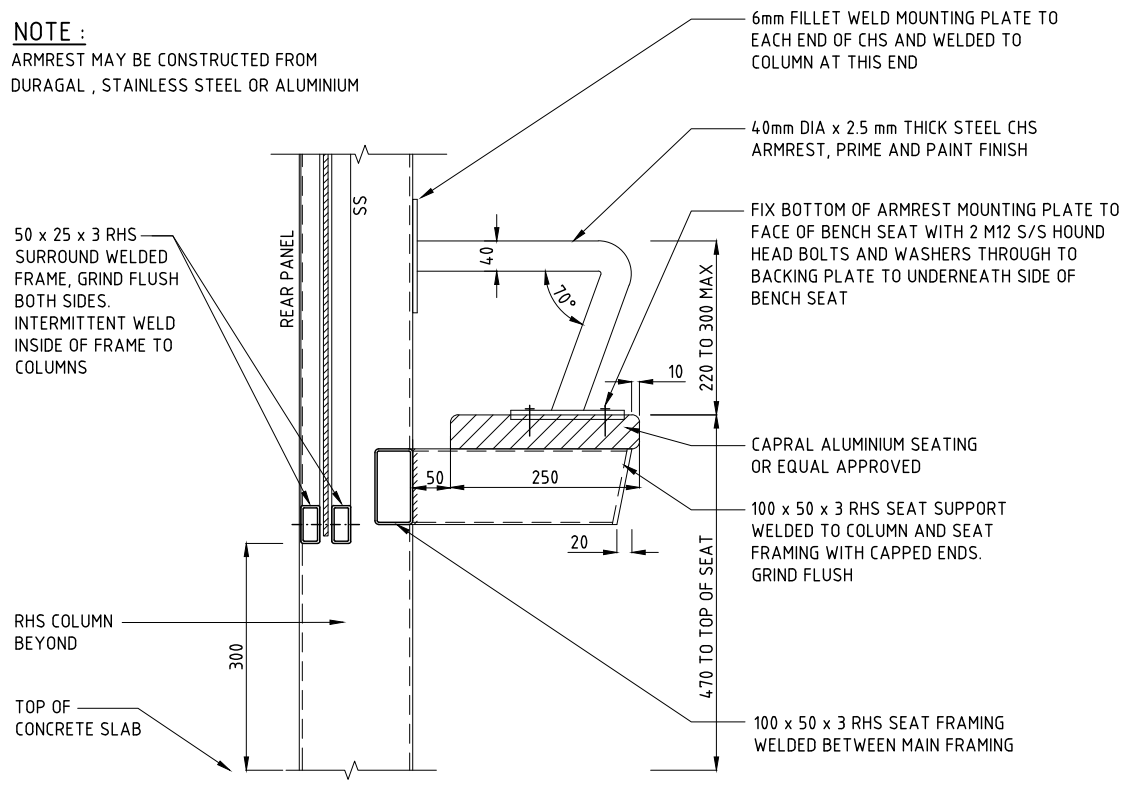


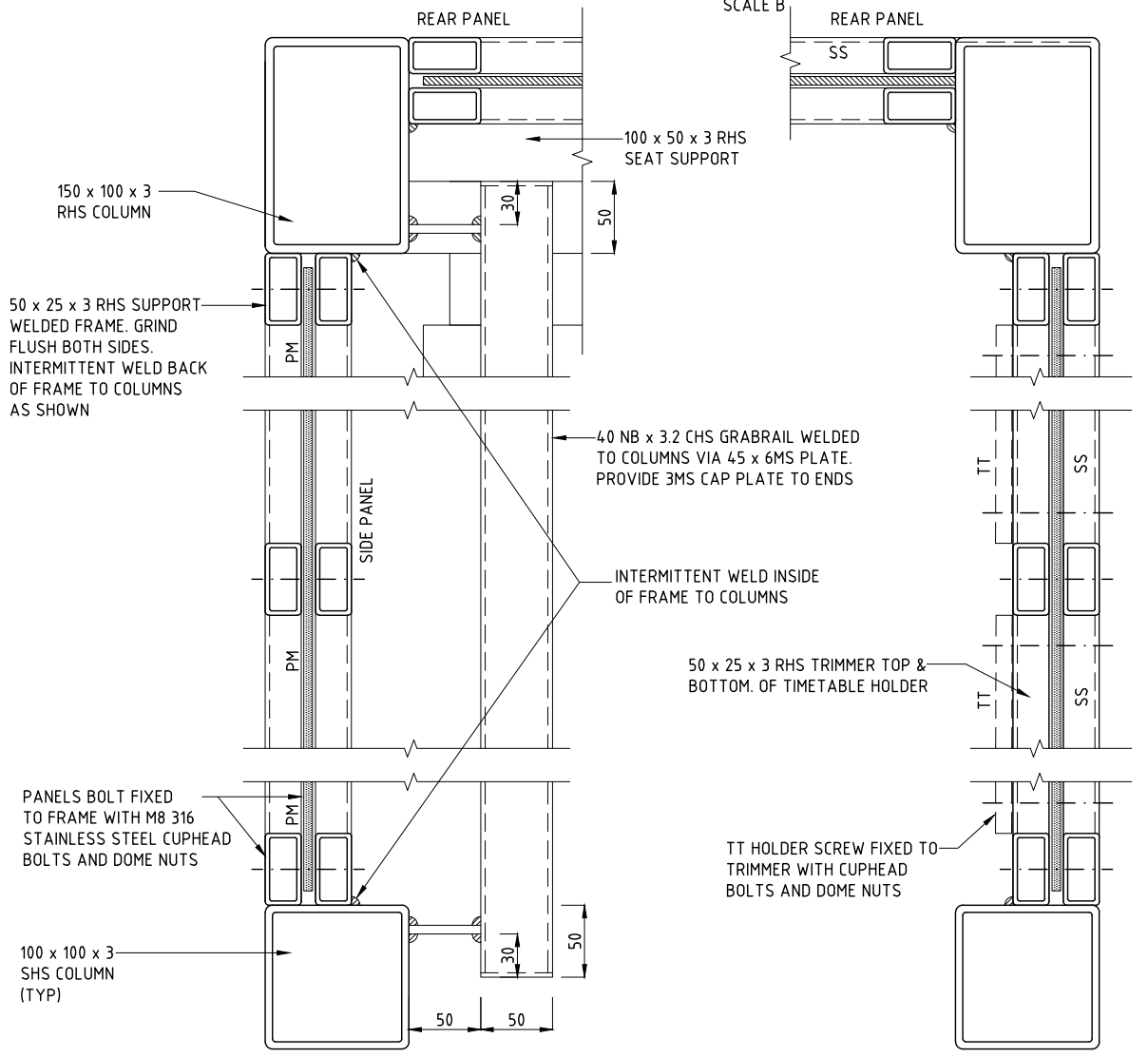
SECTION SD1 3701
SCALE B

NOTE :
REFER TO STRUCTURAL DRAWINGS FOR ALL STRUCTURAL DETAILS

NOTE :
ARMREST MAY BE CONSTRUCTED FROM DURAGAL, STAINLESS STEEL OR ALUMINIUM



SECTION SD3 3701
SCALE B



PLAN PD1 3701
SCALE A

PLAN PD2 3701
SCALE A

CONCURRED STRUCTURAL ONLY
NORTHERN TERRITORY GOVERNMENT
DEPARTMENT OF INFRASTRUCTURE, PLANNING & LOGISTICS
Level 4, Highway House, Palmerston Circuit, Palmerston
PO Box 61, Palmerston NT 0831
Signed: *Jorge Mu* 02/10/18
Registration No.: 33896ES

DRAWING IS TYPICAL ONLY. OBTAIN BUILDING PERMIT BEFORE CONSTRUCTION.

No.	DESCRIPTION	DATE	NAME	DEPT./COMPANY
2	REISSUED AS STANDARD DRAWING	OCT 2018	N.V.	EES/DIPL
1	MINOR AMENDMENT	APR 2018	N.V.	EES/DIPL
0	ISSUED AS A STANDARD DRAWING	SEPT 2017	J.LEESON	EES/DIPL

WARNING
BEWARE OF UNDERGROUND SERVICES.
THE LOCATIONS OF UNDERGROUND SERVICES ARE APPROXIMATE ONLY AND THEIR EXACT POSITION SHOULD BE PROVEN ON SITE. NO GUARANTEE IS GIVEN THAT ALL EXISTING SERVICES ARE SHOWN.

DRAWN	CARDNO	CHECKED	CARDNO
DATE	14.02.17	DATE	14.02.17
DESIGNED	CARDNO	CHECKED	CARDNO
DATE	14.02.17	DATE	14.02.17
DESIGN LEADER	S.HATZI	DESIGN DIRECTOR	S.JACKSON
DATE	15/09/2017	DATE	15/09/2017



FILE No.	ASSET No.	SHEET No.	DRAWING No.	AMEND.	SHEET SIZE
-	-	3 OF 6	CS-3702	2	A1