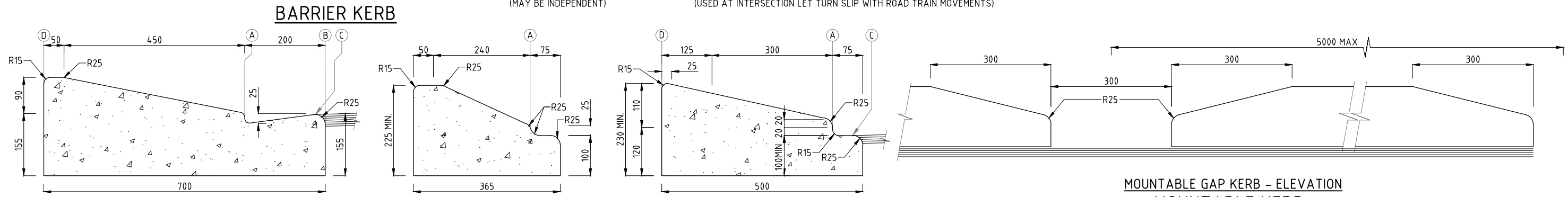
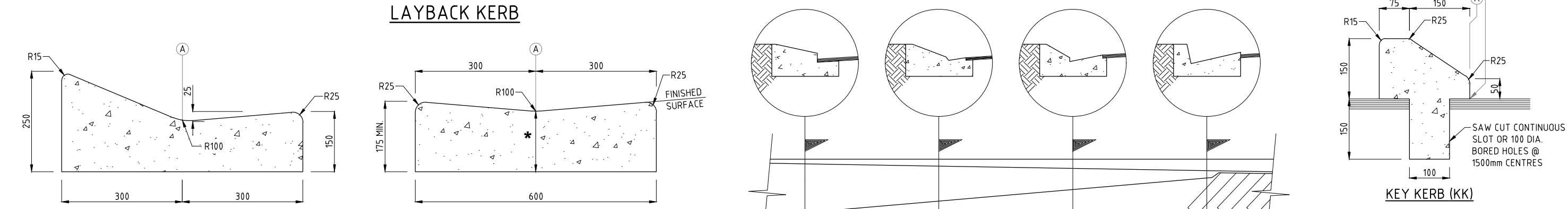


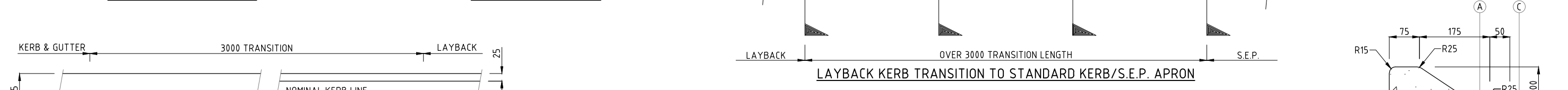
KERB & GUTTER (K&G) **KERB ONLY (K)** **FLUSH KERB (FK)** **MOUNTABLE SPECIAL KERB (MSK)** **MOUNTABLE KERB (MK)** **MOUNTABLE KERB & GUTTER (MK&G)**



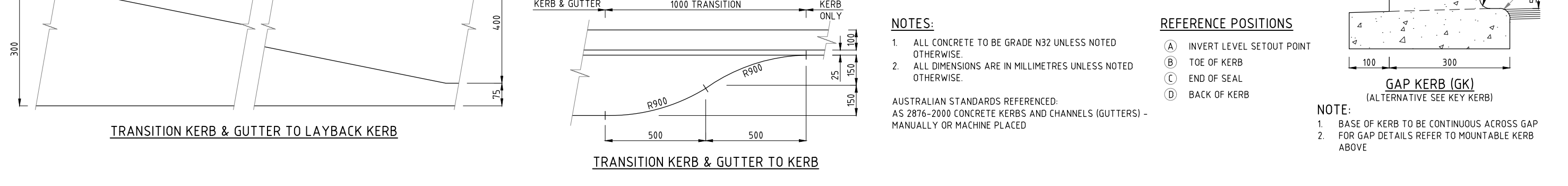
LAYBACK KERB TYPE 1 (LBK1) **LAYBACK KERB TYPE 2 (LBK2)** **LAYBACK KERB TYPE 3 (LBK3)** **MOUNTABLE GAP KERB - ELEVATION**



LOW PROFILE KERB (LPK) **CONCRETE INVERT (CI)** **KEY KERB (KK)**



TRANSITION KERB & GUTTER TO LAYBACK KERB **LAYBACK KERB TRANSITION TO STANDARD KERB/S.E.P. APRON**



No.	DESCRIPTION	DATE	NAME	DEPT./COMPANY
1	ADDITION OF ABBREVIATIONS	DEC 2018	H. ZHU	EES/DIPL
0	ISSUED AS A STANDARD DRAWING	SEPT 2017	J. LEESON	EES/DIPL
AMENDMENTS				

WARNING
 BEWARE OF UNDERGROUND SERVICES.
 THE LOCATIONS OF UNDERGROUND SERVICES ARE APPROXIMATE ONLY AND THEIR EXACT POSITION SHOULD BE PROVEN ON SITE. NO GUARANTEE IS GIVEN THAT ALL EXISTING SERVICES ARE SHOWN.

DRAWN A.R	CHECKED L.Mc
DATE DEC 2012	DATE DEC 2012
DESIGNED	CHECKED
DATE	DATE
DESIGN LEADER S.HATZI	DESIGN DIRECTOR S.JACKSON
DATE 1/09/2017	DATE 1/09/2017

Northern Territory Government

STANDARD DRAWINGS KERBING, FENCING & LANDSCAPING				
STANDARD KERB PROFILES				
FILE No.	ASSET No.	SHEET No.	DRAWING No.	AMEND.
-	-	1 OF 1	CS-3300	1
				SHEET SIZE A1