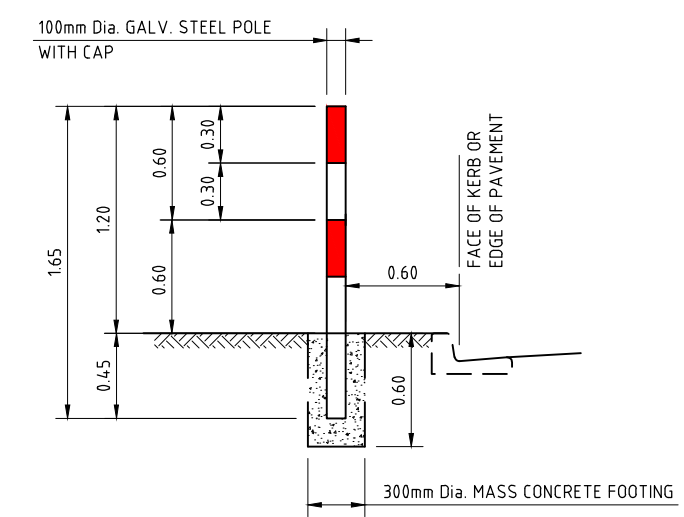
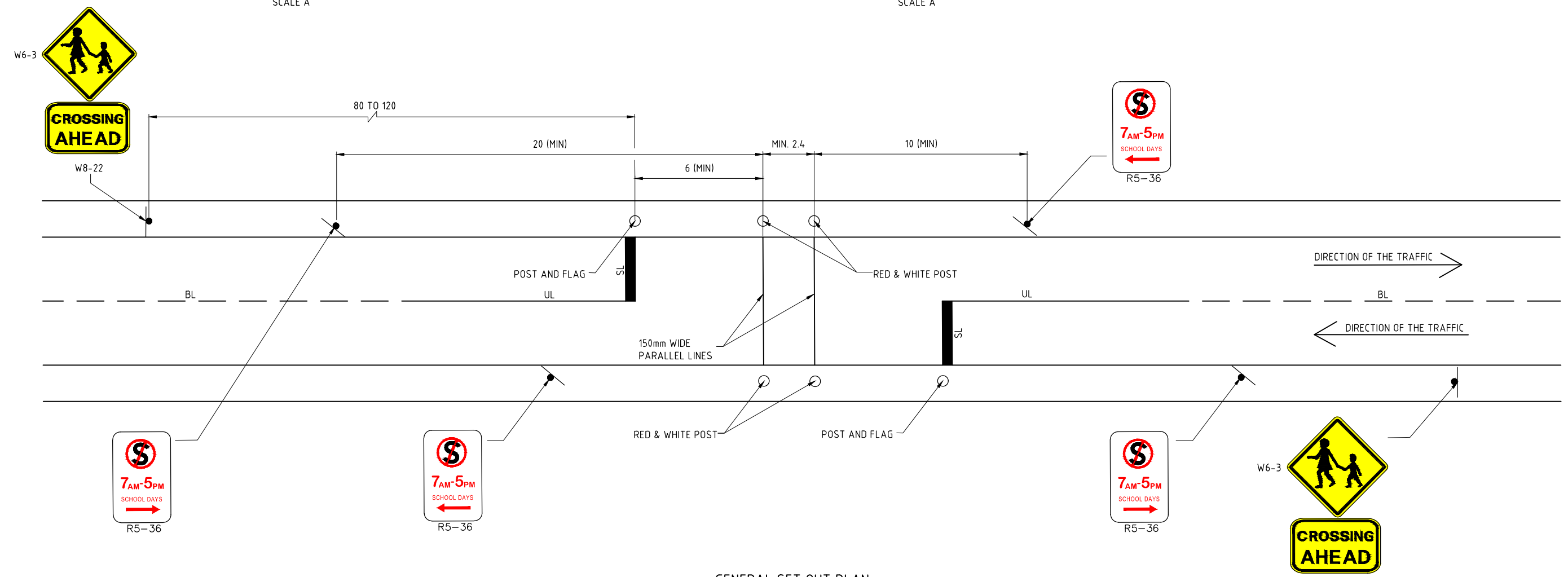


POST AND FLAG DETAILS
SCALE A



RED & WHITE POST DETAILS
SCALE A

- NOTE**
1. ALL DIMENSIONS ARE IN METRES UNLESS SPECIFIED OTHERWISE
 2. LAYOUT & SIGNS IN ACCORDANCE WITH A.S. 1742.10 - 2009.
 3. SITE SPECIFIC LAYOUTS TO BE DESIGNED IN ACCORDANCE WITH A.S. 1742.10 - 2009
 4. REFER TO STANDARD DRAWING CS 3400 FOR LINE MARKING DETAILS



GENERAL SET OUT PLAN
NOT TO SCALE

No.	DESCRIPTION	DATE	NAME	DEPT/COMPANY
0	ISSUED AS A STANDARD DRAWING	JUNE 2018	S.SHI	EES/DIPL
AMENDMENTS				

WARNING
BEWARE OF UNDERGROUND SERVICES.
THE LOCATIONS OF UNDERGROUND SERVICES ARE APPROXIMATE ONLY AND THEIR EXACT POSITION SHOULD BE PROVEN ON SITE. NO GUARANTEE IS GIVEN THAT ALL EXISTING SERVICES ARE SHOWN.

DRAWN S.SHI	CHECKED S.HATZI
DATE JUNE 2018	DATE JUNE 2018
DESIGNED	CHECKED
DATE	DATE
DESIGN LEADER S.HATZI	DESIGN DIRECTOR S.JACKSON
DATE 21/06/2017	DATE 21/06/2017



STANDARD DRAWINGS ROAD FURNITURE & SIGNS				
SCHOOL CROSSING DETAILS				
FILE No.	ASSET No.	SHEET No.	DRAWING No.	AMEND.
-	-	1 OF 1	CS3515	0
			SHEET SIZE	A1