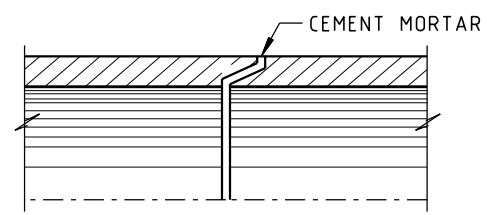


**CULVERT DETAILS**

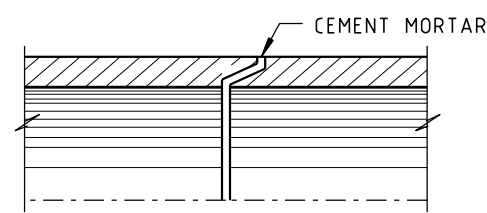
NOMINAL CULVERT SIZE		FLOOR THICKNESS
S	H	
750	300	115
750	450	115
750	600	115
900	300	115
900	450	115
900	600	115
1200	300	115
1200	450	115
1200	600	115

**SECTION A - A**

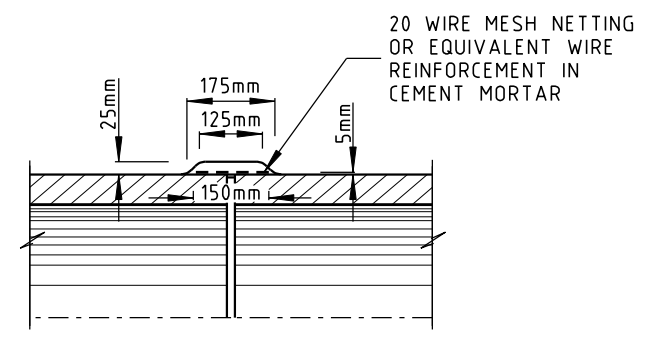
SHAPE TO FORM FLOW LINE  
AFTER CASTING WALLS AND APRON



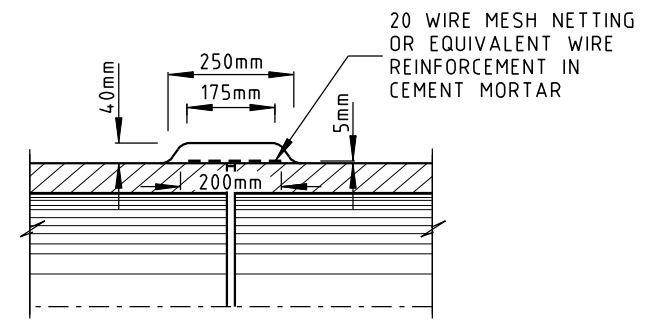
**INTERNAL FLUSH JOINT**  
( 525mm DIA. & SMALLER )



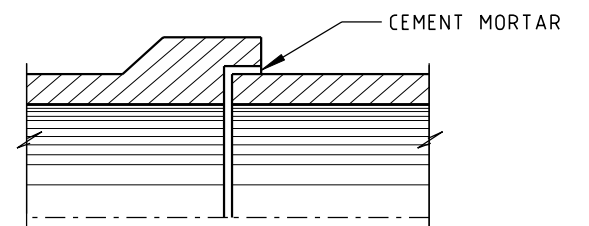
**INTERNAL FLUSH JOINT**  
( 600mm DIA. & LARGER )



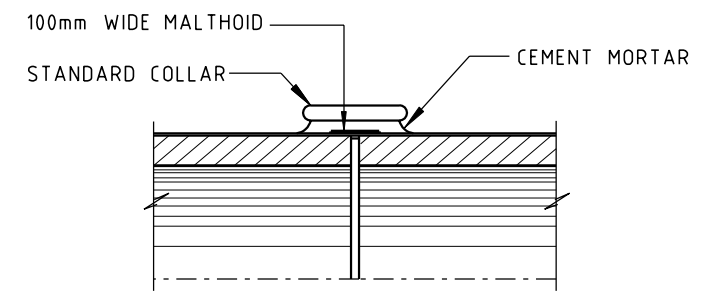
**BANDAGE JOINT**  
( 750mm DIA. OR SMALLER )



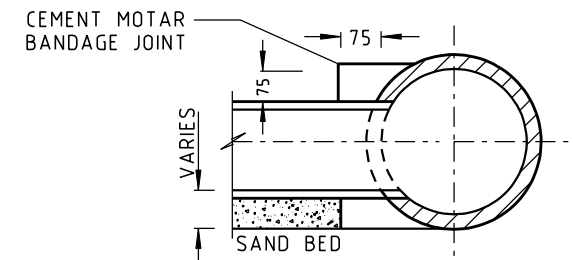
**BANDAGE JOINT**  
( 900mm DIA. OR LARGER )



**SOCKETED JOINT**



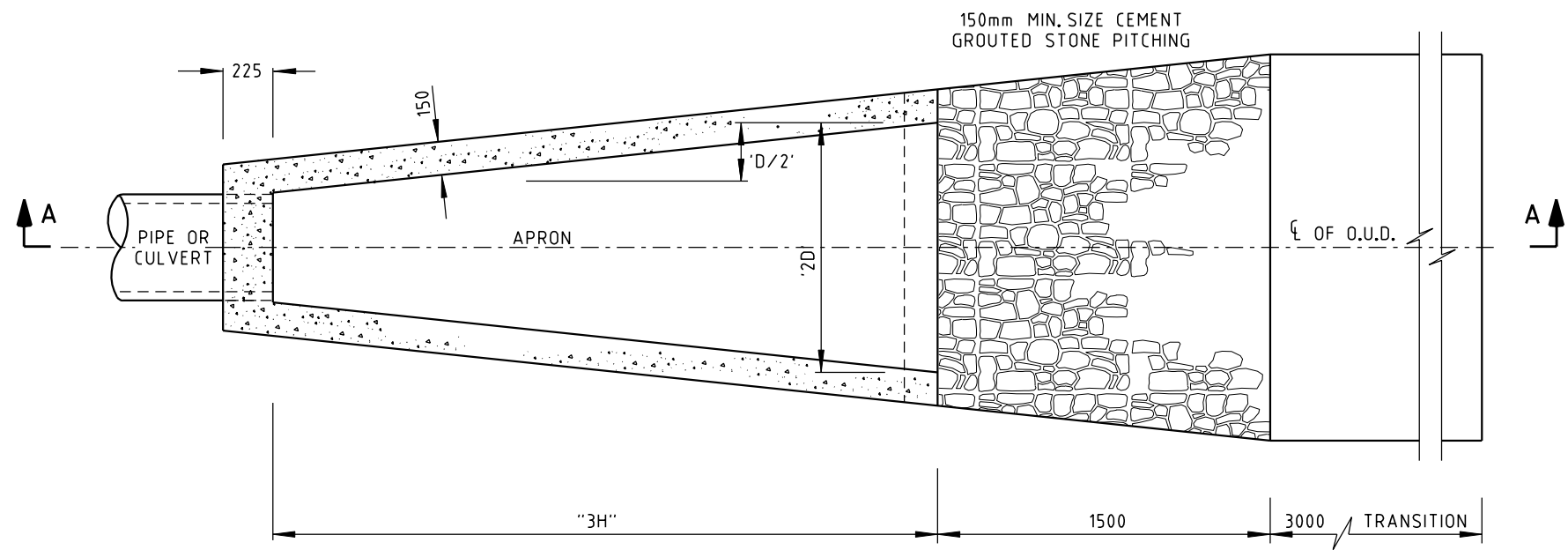
**COLLAR JOINT**



**PIPE JOINTING DETAILS**

INTERSECTING PIPES BANDAGE JOINT  
SECTION WHERE NO MANHOLE REQUIRED

SCALE = 1:15



**PLAN**  
**CONCRETE ENDWALLS WITH SLOPING INLET**  
**FOR REINFORCED CONCRETE PIPES**



SCALE 1:30

12/02/2003 2:38:06 PM X:\NTS\STANDARDS\2\_Culverts\CS11124 (DRAFT COPY ONLY).ldgn

DRAWN	DRAWN
DATE	DATE
DESIGNED	DESIGNED
DATE	DATE
DESIGN PROJECT LEADER	PROJECT OFFICER
DATE	DATE

**Northern Territory Government**  
Department of Infrastructure, Planning and Environment

STANDARD DRAWING: CONCRETE ENDWALLS WITH SLOPING INLET FOR CONCRETE PIPES & CULVERT PIPE JOINTING		SCALE	SHEET No.	DRAWING NUMBER	AMEND.	SHEET SIZE
		1 : 30	1 OF 1	C(s)1124		A1