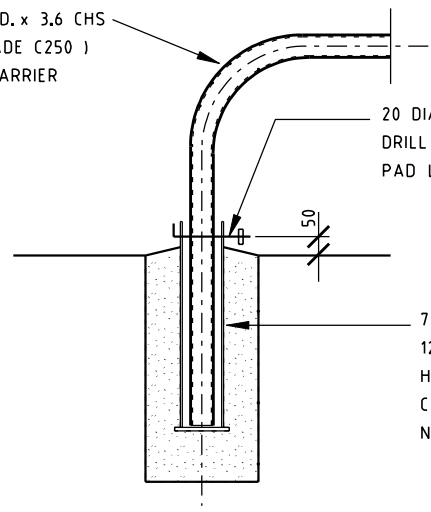


60.3 O.D. x 3.6 CHS
(GRADE C250)
BARRIER



20 DIA. ROD, GALV., BENT AS SHOWN.
DRILL STRAIGHT END 8 DIA. TO SUIT
PAD LOCK.

76 O.D. x 3.6 CHS SLEEVE WITH
125 x 6 x 125 BASE PLATE.
HOT DIP GALVANISE AFTER FABRICATION
CAST INTO 300 DIA. x 600 DEEP
N20 CONCRETE FOOTING.

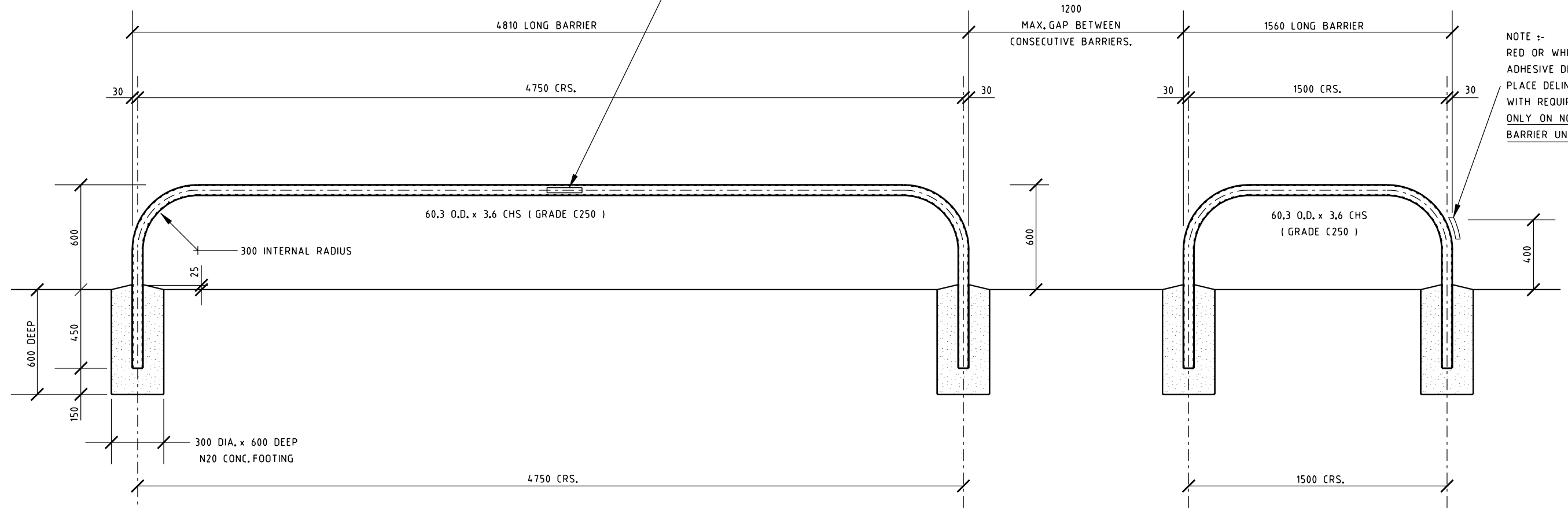
ALTERNATIVE FOOTING DETAIL

(FOR REMOVABLE BARRIER)
SCALE 1:20

NOTE :-
ATTACH YELLOW CLASS 1 ADHESIVE STRIPS (200 x 25) AT THE CENTRE
OF NOMINATED RAILS. PLACE ON BOTH FACES OF BARRIER ONLY IF SPECIFIED.

GENERAL NOTES

1. ALWAYS USE GALVANISED STEEL.
2. UNLESS OTHERWISE SPECIFIED, "DO NOT PAINT THE RAILS". ONLY PAINTING IS NOMINATED. PAINT IN ACCORDANCE WITH THE FOLLOWING SPECIFICATION.
3. REMOVE ALL OIL AND GREASE. ABRABE SURFACE OR BRUSH BLAST BEFORE APPLYING PRIMER.
4. ONE COAT EPOXY PRIMER GPC NO. C-29/7T (DULUX "LUXEPOXY 4" OR APPROVED EQUAL)
5. TOP COAT WHITE GLOSS POLYURETHANE GPC NO. P-171/1 (DULUX "LUXATHANE R" OR APPROVED EQUAL)
6. THESE ARE MOVEMENT BARRIERS, NOT CRASH BARRIERS. DO NOT USE TO PROTECT VEHICLES FROM HAZARDS, NOR TO PROTECT ROADSIDE EQUIPMENT FROM ERRANT VEHICLES.
7. DON'T USE THE HALF LENGTH BARRIER UNLESS THE STOCK LENGTH BARRIER WON'T FIT.
8. ONLY USE THESE BARRIERS PARALLEL TO TRAFFIC FLOW.



NOTE :-
RED OR WHITE CLASS 1
ADHESIVE DELINEATORS.
PLACE DELINEATORS
WITH REQUIRED COLOUR
ONLY ON NOMINATED
BARRIER UNITS.

ELEVATION OF STOCK LENGTH BARRIER

(UTILISING 6.5m STOCK LENGTH CHS)
SCALE 1:25

ELEVATION OF HALF STOCK LENGTH BARRIER

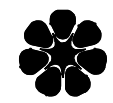
(UTILISING 3.25m HALF STOCK LENGTH CHS)
SCALE 1:25

30/05/2002 08:52:24 AM H:\XITS\STANDARDS\1. Fences\C(S)1316-A.dgn

No.	DESCRIPTION	DATE	INIT.
A.	GOVERNMENT DEPARTMENT LOGO ALTERED.	5/02	K.S.
AMENDMENTS			

ASSOCIATED DRAWINGS:

DRAWN	J.F.L.	DRAWN	
DATE	APRIL 96	DATE	
DESIGNED	G.C.	DESIGNED	
DATE	APRIL 96	DATE	
DESIGN PROJECT LEADER	<i>G.A. Carr</i>	PROJECT OFFICER	
DATE	3/4/96	DATE	


Northern Territory Government
 Department of Infrastructure, Planning and Environment

STANDARD DRAWING VEHICLE MOVEMENT BARRIERS STOCK & HALF STOCK LENGTH PIPE BARRIERS			
SCALE	SHEET No.	DRAWING NUMBER	AMEND.
AS SHOWN	1 OF 1	C(S)1316	A
			SHEET SIZE A1