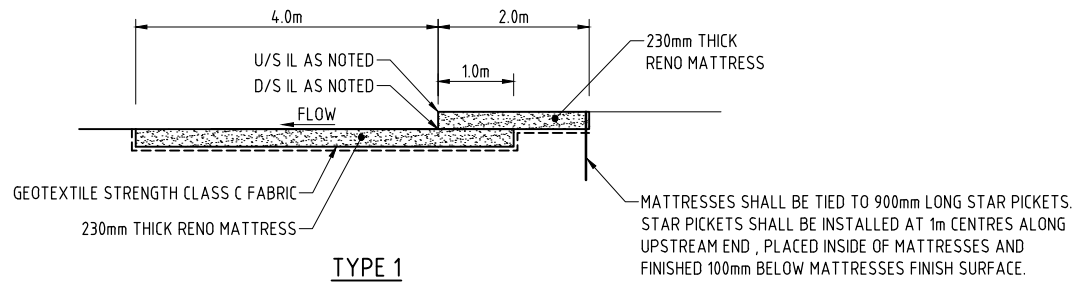
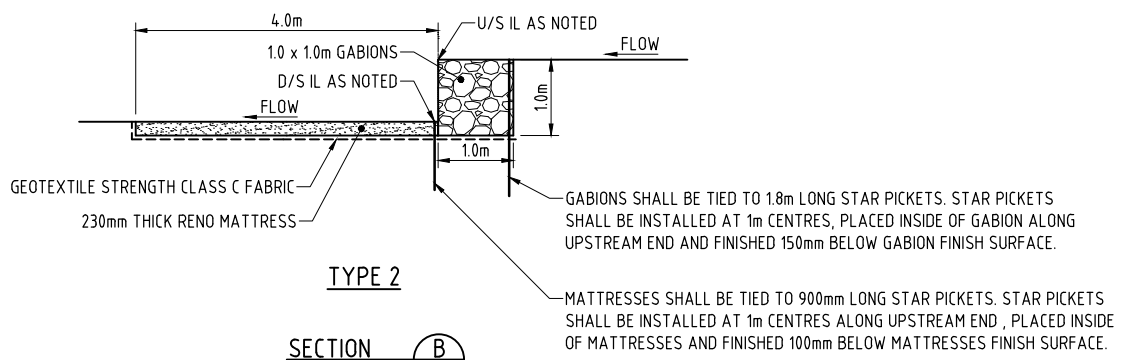


PLAN
NOT TO SCALE

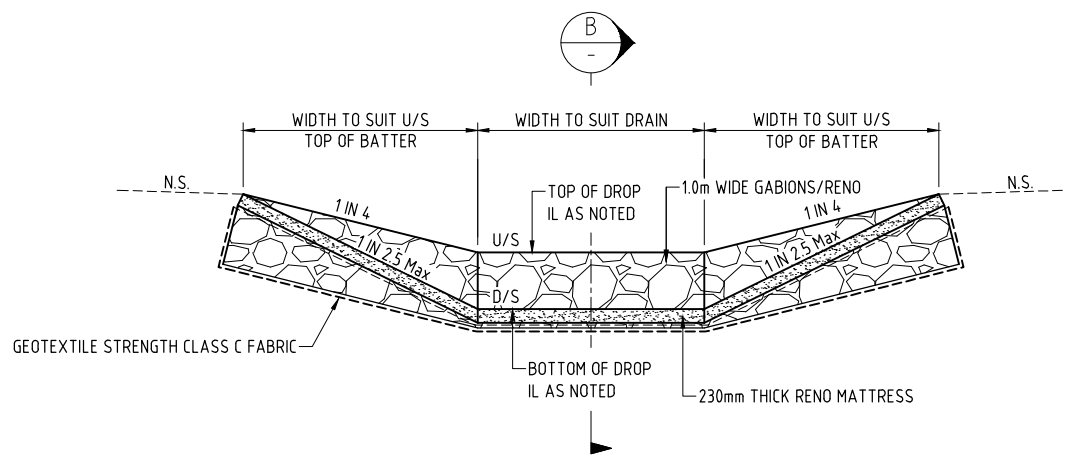


TYPE 1

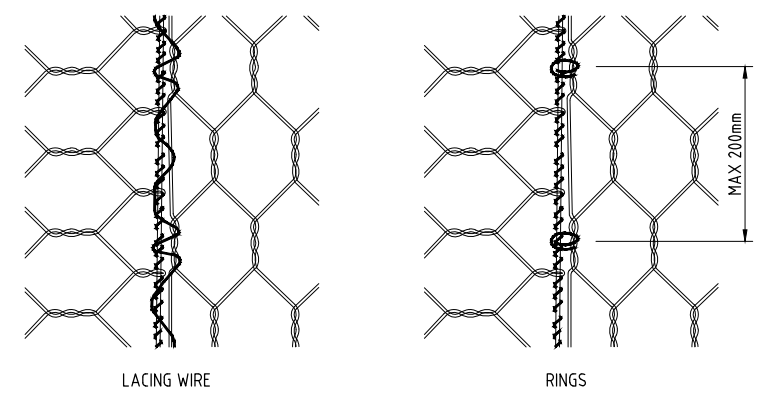


TYPE 2

SECTION B
NOT TO SCALE



SECTION A
NOT TO SCALE



BASKET LACING AND RING DETAIL
NOT TO SCALE

LEGEND:
U/S UPSTREAM
D/S DOWNSTREAM

- NOTE:**
1. RENO MATTRESS WIDTH MAY VARY BETWEEN 2m TO 6m WIDE. SUBJECT TO GABIONS USED.
 2. GABION SIZE MAY VARY BETWEEN 0.5m x 0.5m TO 1m x 1m. SUBJECT TO PROJECT REQUIREMENTS.
 3. ALTERNATIVE DROP STRUCTURES AND MATTRESSES SUCH AS RECYCLED TYRES MAY BE USED BY APPROVAL ONLY. THESE ALTERNATIVES WILL NEED TO BE IN ACCORDANCE WITH MANUFACTURER'S DESIGN AND SPECIFICATION.
 4. ALL DIMENSIONS ARE IN METRES UNLESS NOTED OTHERWISE.

No.	DESCRIPTION	DATE	NAME	DEPT/COMPANY
1	CHANGES TO STARPICKETS, GABION AND FABRIC	DEC 2018	H.ZHU	EES/DIPL
0	ISSUED AS A STANDARD DRAWING	SEPT 2017	J.LEESON	EES/DIPL
AMENDMENTS				

WARNING
BEWARE OF UNDERGROUND SERVICES.
THE LOCATIONS OF UNDERGROUND SERVICES ARE APPROXIMATE ONLY AND THEIR EXACT POSITION SHOULD BE PROVEN ON SITE. NO GUARANTEE IS GIVEN THAT ALL EXISTING SERVICES ARE SHOWN.

DRAWN BYRNE	CHECKED S.HATZI
DATE APRIL 2017	DATE APRIL 2017
DESIGNED BYRNE	CHECKED S.HATZI
DATE APRIL 2017	DATE APRIL 2017
DESIGN LEADER S.HATZI	DESIGN DIRECTOR S.JACKSON
DATE 1/09/2017	DATE 1/09/2017



STANDARD DRAWINGS DRAINAGE				
GABION DROP STRUCTURE				
FILE No.	ASSET No.	SHEET No.	DRAWING No.	AMEND.
-	-	1 OF 1	CS-3123	1
				SHEET SIZE A1