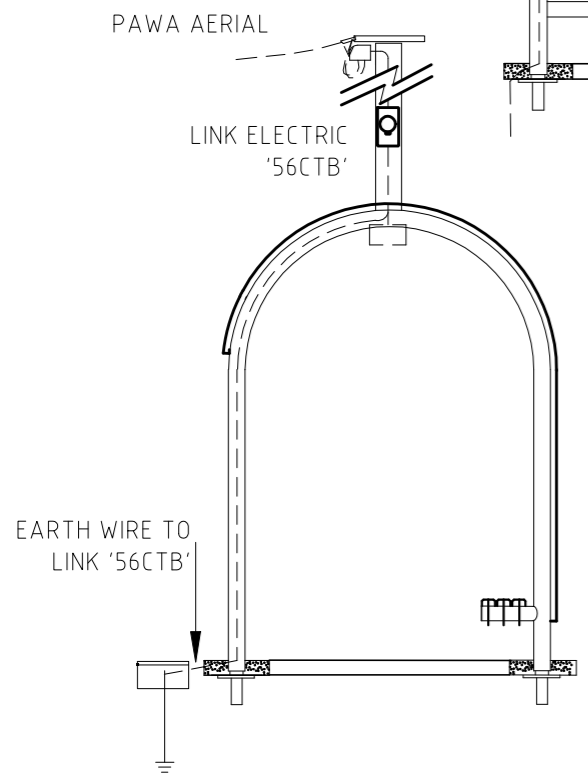
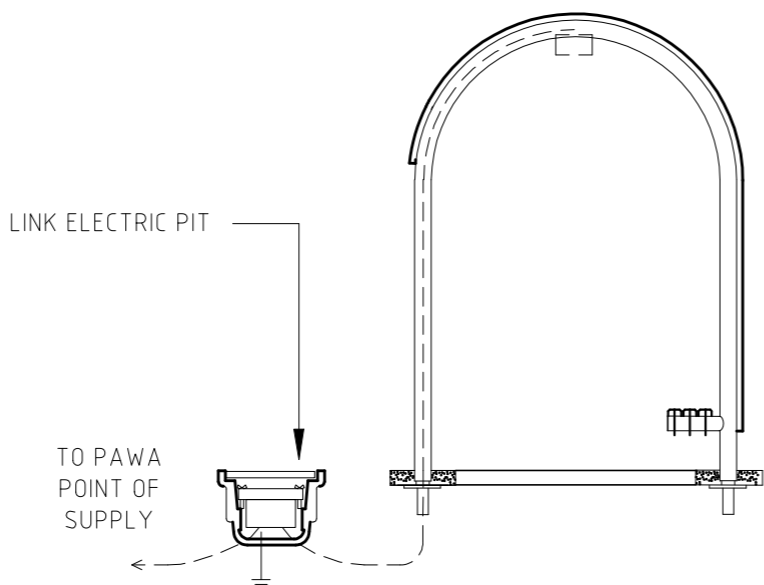


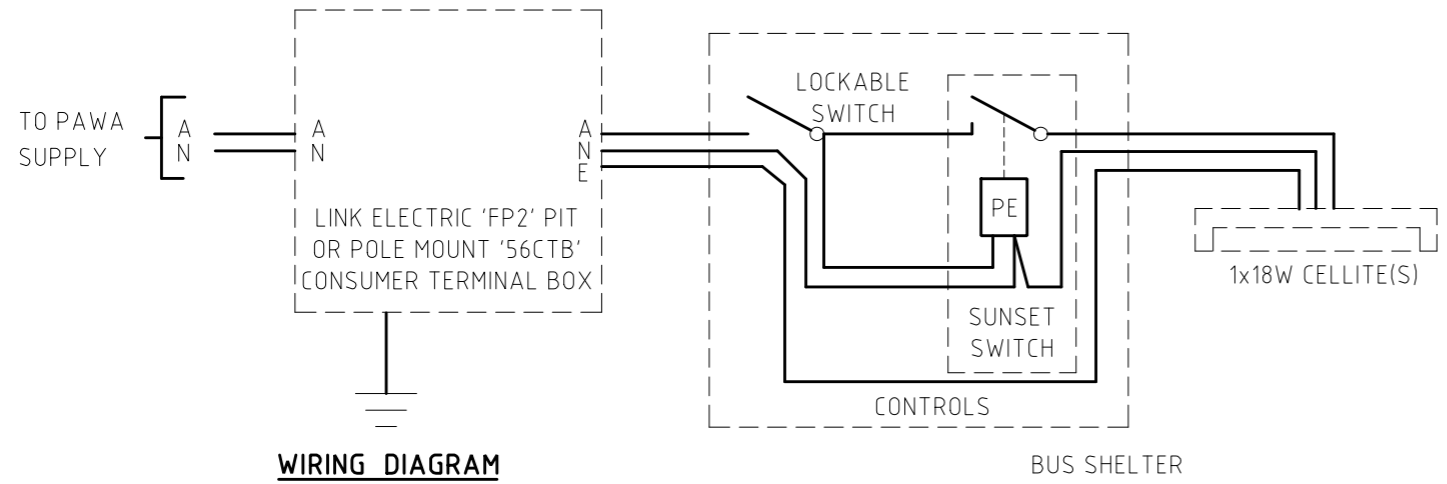
TYPICAL FRONT ELEVATION



SIDE SECTION TYPICAL AERIAL ARRANGEMENT



SIDE SECTION TYPICAL URD ARRANGEMENT



WIRING DIAGRAM

**NOTES**

- SCOPE OF WORK: SUPPLY AND INSTALL BUS SHELTER LIGHTING, CONSUMERS MAINS FROM POINT OF SUPPLY, CABLING, PROTECTION AND CONTROLS AS PER THIS DRAWING.
- 1) COMPLY WITH AS3000:2000, PAWA AND WORK HEALTH AUTHORITY REGULATIONS, AND ANY OTHER RELEVANT STANDARDS.
  - 3) SUPPLY AND INSTALL ALL WIRING, EQUIPMENT AND SUNDRY ITEMS ENABLING THE SYSTEM TO FUNCTION PROPERLY AND PERFORM TO THE SUPERINTENDENTS SATISFACTION.
  - 4) ALL WIRING SHALL BE CONCEALED WITHIN THE BUS SHELTER PIPE WORK. CABLES LEAVING ONE PIPE AND ENTERING ANOTHER SHALL BE IN MEDIUM DUTY RIGID CONDUIT.
  - 5) ALL CONDUIT WITHIN ARMS REACH OR BETWEEN GROUND LEVEL AND 1200mm ABOVE GROUND LEVEL SHALL BE OF STEEL CONSTRUCTION OR MECHANICALLY PROTECTED BY HAT SECTION. ALL HAT SECTIONS WILL BE CONSTRUCTED OF MIN. 1.6mm GALVANISED, PAINTED SHEETMETAL.
  - 6) THERE SHALL BE NO EXPOSED SHARP EDGES ON ANY EQUIPMENT OR SUNDRY ITEMS INSTALLED AS PART OF THIS CONTRACT.
  - 7) ALL SURFACES DAMAGED BY THIS CONTRACT SHALL BE REPAIRED TO MATCH EXISTING.
  - 8) CONSULT THE POWER AND WATER AUTHORITY FOR POINT OF SUPPLY AND PAY ALL ASSOCIATED COSTS INVOLVED IN CONNECTING THE SYSTEM TO PAWA'S SUPPLY.
  - 9) NUMBER OF LIGHTS TO BE DETERMINED IN CONSULTATION WITH THE SUPERINTENDENT.
  - 10) INSTALL LINK ELECTRIC EQUIPMENT TO MANUFACTURERS RECOMMENDATIONS.
  - 11) ALL VARIATIONS TO THIS DRAWING SHALL BE APPROVED BY THE SUPERINTENDENT BEFORE COMMENCEMENT OF THE VARIED COMPONENT.
  - 12) LABEL ANY SINGLE CABLE RUN DESCRIBING THE DESTINATION OF THE OPPOSING END ON EACH END OF THE CABLE. USE A 'GrafoPLAST' TYPE LABELING SYSTEM.

**PROTECTION**

- 1) IN A URD LOCATION SUPPLY AND INSTALL:
  - LINK ELECTRIC PTY LTD PIT CAT NO. 'FP2'
  - LINK ELECTRIC PTY LTD PIT LID MARKED 'ELECTRICITY' TO SUIT 'FP2' PIT.
  - LINK ELECTRIC PTY LTD PIT INSERT TO SUIT 'FP2' PIT.
 INSERT INCLUDES 20A FUSE HOLDER AND CARTRIDGE, 16A 30mA COMBINED RCD/MCB, NEUTRAL LINK, ACTIVE LINK, NEUTRAL LINK, DRAWING TUBE, GLAD RUBBER SET, MOUNTING BRACKETS, HEATER, AND INTERNAL WIRING.  
 NOTE: INSTALL BRACKETS IN PITS PRIOR TO INGROUND INSTALLATION.
  - EARTH/ EARTH STAKE WITHIN LINK ELECTRIC 'FP2' PIT.
- 2) IN AN AERIAL SUPPLY LOCATION SUPPLY AND INSTALL:
  - A CUSTOM MADE ELECTRICAL SERVICE RISER TO ACCOMMODATE A SINGLE PHASE (2 CORE) 16mmsq SERVICE AS PER PAWA REGS. WELD RISER TO FRAME. RISER TO BE MANUFACTURED AND PAINTED TO MATCH SHELTER FRAME. MANUFACTURE RISER TO ACHIEVE ROAD CLEARANCE TO PAWA STANDARDS.
  - A LINK ELECTRIC PTY LTD '56CTB' CONSUMER TERMINAL BOX MOUNTED 4m ABOVE GROUND LEVEL ON THE RISER DESCRIBED ABOVE.
 '56CTB' INCLUDES 56 SERIES ENCLOSURE WITH SPECIAL DRILLINGS AND COVER, 20A FUSE HOLDER AND CARTRIDGE, 16A 30mA COMBINED RCD/MCB, NEUTRAL LINK, NEUTRAL LINK, GLAD KIT, STAINLESS STEEL POLE MOUNTING BRACKET WITH SCREWS, AND INTERNAL WIRING AND LABELING.
  - EARTH/ EARTH STAKE INSTALLED IN AN EARTH PIT MOUNTED ADJACENT TO THE POLE DESCRIBED ABOVE.

**LEGEND**

- NEW 1x18W CELLITE 'CELL118F' FLUORESCENT LUMINAIRE.
- NEW CLIPSAL '56E2' 56 SERIES MOUNTING ENCLOSURE COMPLETE WITH THE FOLLOWING EQUIPMENT;
  - CLIPSAL '56K2SW115MSLE' 56 SERIES SWITCH LOCKABLE IN THE 'ON' OR 'OFF' POSITION. KEY TO "60103".
  - CLIPSAL '56SSR' 56 SERIES SUNSET SWITCH.
- PROPOSED CABLE ROUTE.

THIS DRAWING IS REPRODUCED FROM APPROVED DRAWING B00-2761 C.

DRAWN	CHECKED
DATE July 2006	DATE
DESIGNED	CHECKED
DATE July 2006	DATE
DESIGN PROJECT LEADER	PROJECT OFFICER
DATE	DATE



DARWIN REGION TYPICAL BUS SHELTER ELECTRICAL SYSTEM				
FILE No.	ASSET No.	SHEET No.	DRAWING No.	AMEND.
-	-	1 OF 1	C(S)2206 - 0	A3

No.	DESCRIPTION	DATE	INIT.
AMENDMENTS			