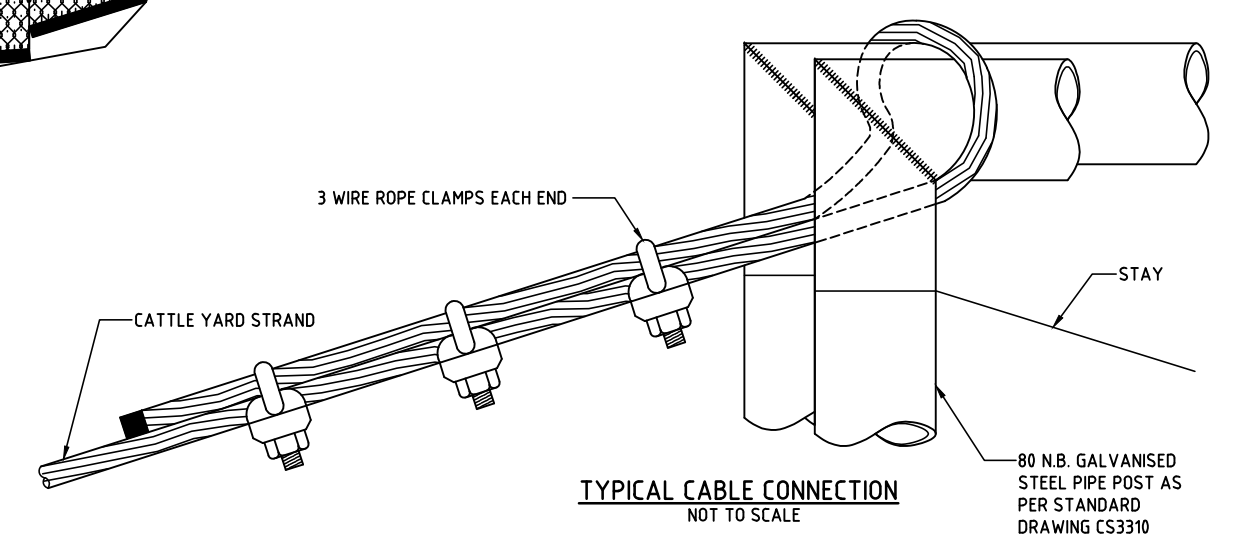
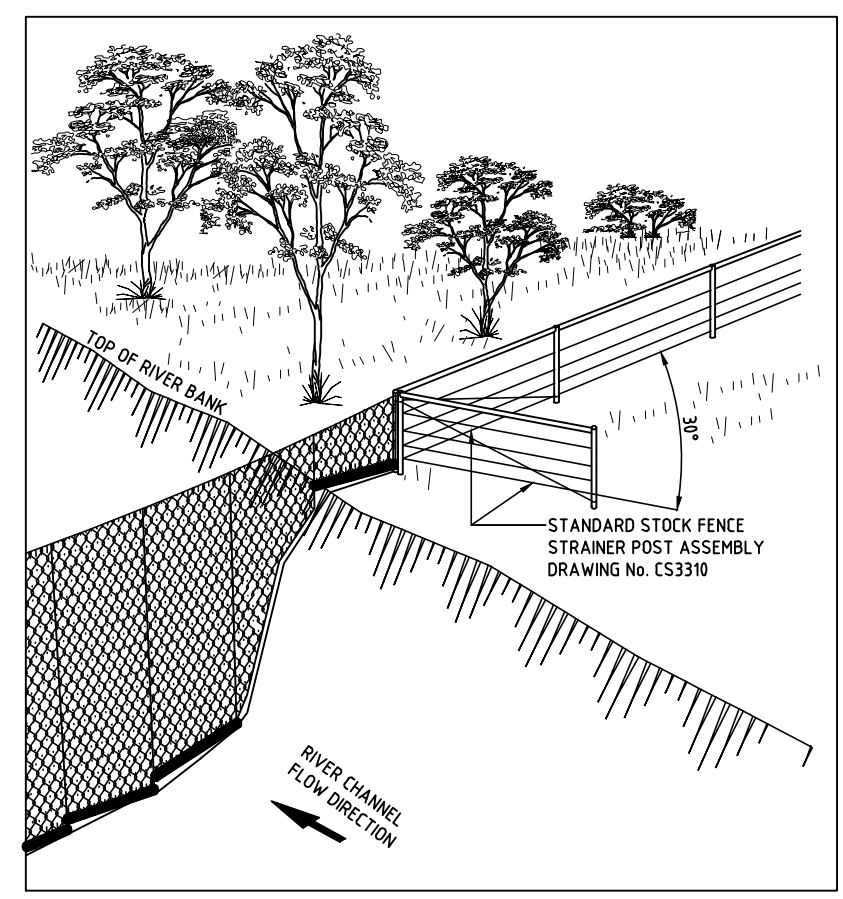


TYPICAL CROSS SECTION
NOT TO SCALE

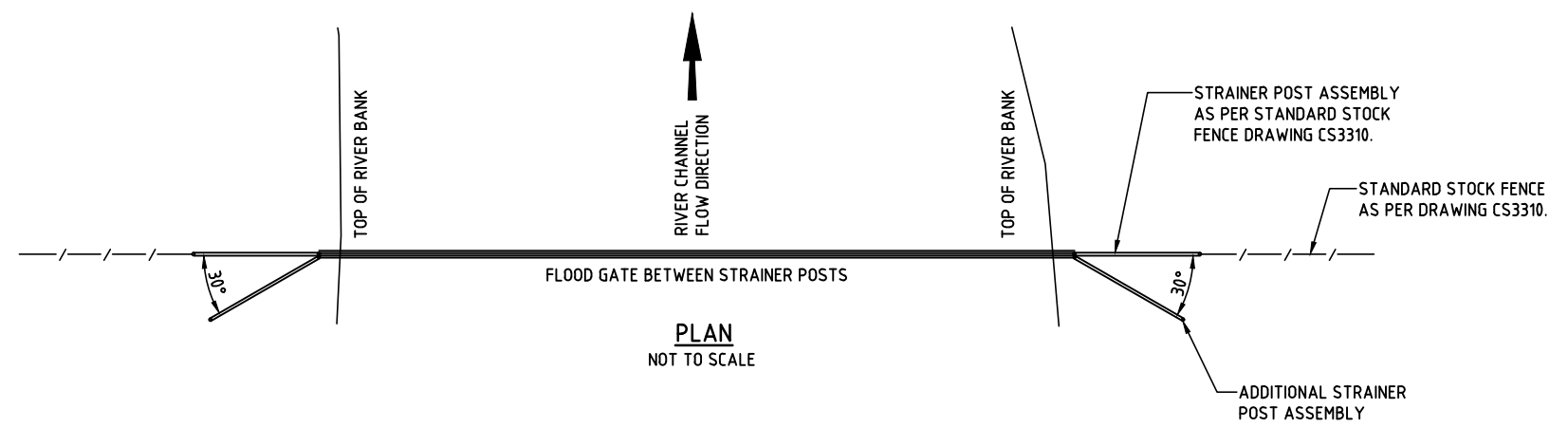


TYPICAL CABLE CONNECTION
NOT TO SCALE

DETAIL A
NOT TO SCALE



TYPICAL STRAINER ASSEMBLY
NOT TO SCALE



PLAN
NOT TO SCALE

No.	DESCRIPTION	DATE	NAME	DEPT./COMPANY
0	ISSUED AS A STANDARD DRAWING	SEPT 2017	J.LEESON	EES/DIPL
AMENDMENTS				

WARNING
BEWARE OF UNDERGROUND SERVICES. THE LOCATIONS OF UNDERGROUND SERVICES ARE APPROXIMATE ONLY AND THEIR EXACT POSITION SHOULD BE PROVEN ON SITE. NO GUARANTEE IS GIVEN THAT ALL EXISTING SERVICES ARE SHOWN.

DRAWN J.LEESON	CHECKED S.HATZI
DATE APRIL 2017	DATE APRIL 2017
DESIGNED G.C.	CHECKED
DATE MAR 1996	DATE
DESIGN LEADER S.HATZI	DESIGN DIRECTOR S.JACKSON
DATE 1/09/2017	DATE 1/09/2017



STANDARD DRAWINGS KERBING, FENCING & LANDSCAPING					
STOCK FENCE SWINGING FLOODGATE FOR STREAM CROSSINGS					
FILE No.	ASSET No.	SHEET No.	DRAWING No.	AMEND.	SHEET SIZE
-	-	1 OF 1	CS3312	0	A1