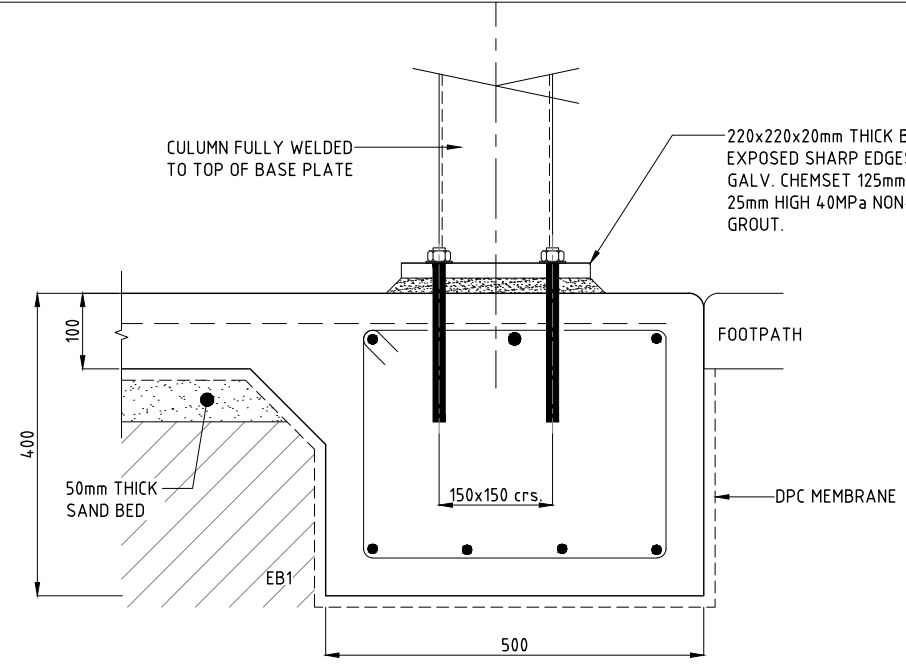
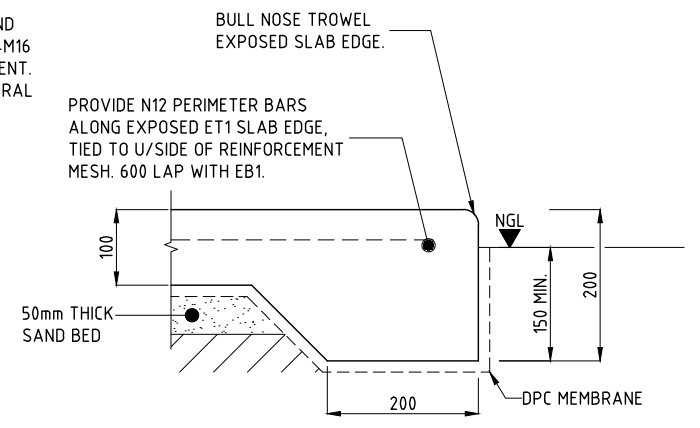


SLAB LAYOUT PLAN (OPTION 1)  
SCALE B



TYPICAL COLUMN FIXING TO SLAB DETAIL

SECTION 2  
SCALE A



TYPICAL SLAB EDGE THICKENING "ET1" DETAIL

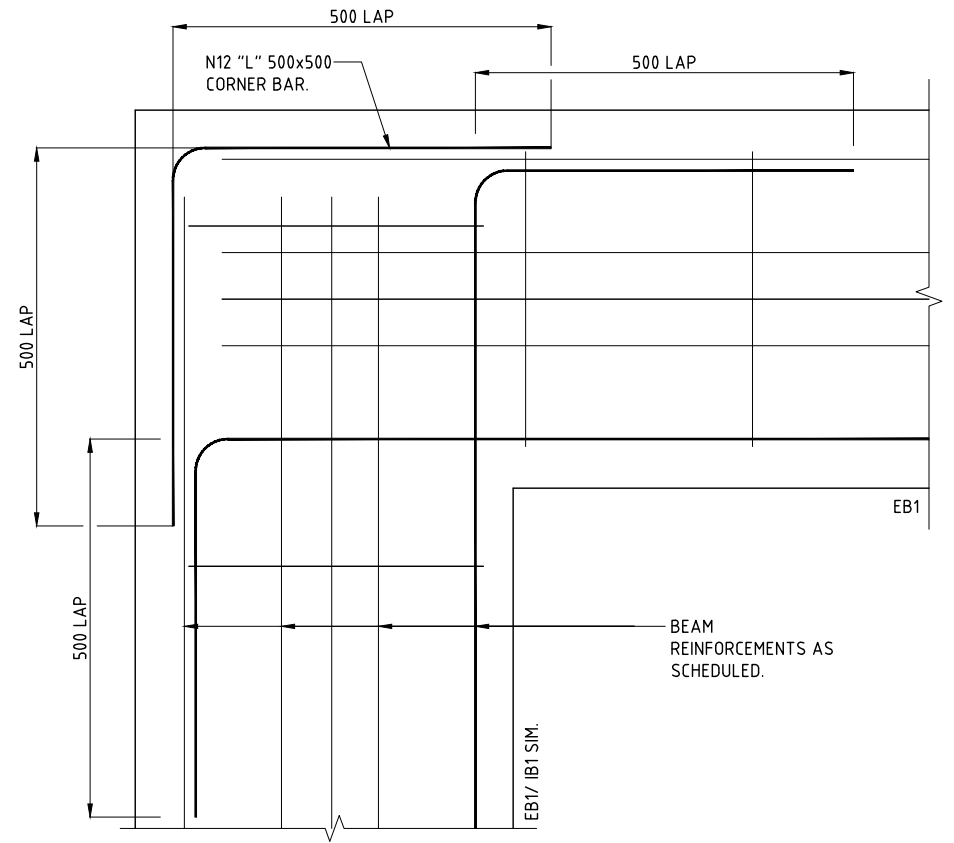
SECTION 3  
SCALE A

- NOTES:**
- 100 THICK N32 (32MPa) CONCRETE WITH SL72 MESH 40 TOP COVER, 0.2mm THICK DPC UNDERLAY AND 50mm SAND BED ON CONSOLIDATED COMPACTED FILL.
  - REFER TO ASSOCIATED ARCH. DRAWINGS FOR SLAB/ RAMP LEVELS AND SURFACE FALLS

STRUCTURAL MEMBER SCHEDULE		
SLAB		
MARK	DESCRIPTION	REINFORCEMENT / COMMENTS
ET1	200x200MIN. DEEP	SLAB EDGE THICKENING. REFER TO DETAILS.
EB1	500x400 DEEP	SLAB EDGE BEAM. 2N12 + 1N16 (CENTRAL) TOP & 4N12 BTM WITH R10 LIGS AT NOMINAL 450 CRS, 50 MIN COVER. REFER TO DETAILS.
IB1	450x400 DEEP	INTERNAL SLAB BEAM. 2N12 + 1N16 (CENTRAL) TOP & 4N12 BTM WITH R10 LIGS AT NOMINAL 450 CRS, 50 MIN COVER. REFER TO DETAILS.

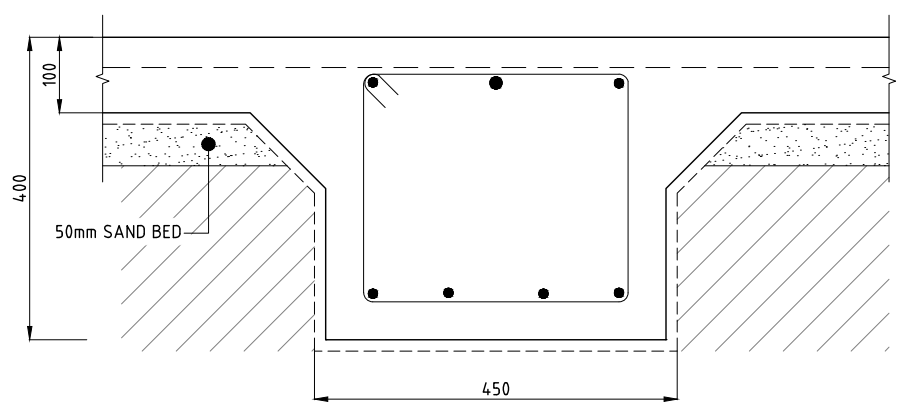
1. DEPTHS SHOWN ARE MINIMAL AND MAY VARY WITH NATURAL SITE CONTOURS.

**CONCURRED STRUCTURAL ONLY**  
 NORTHERN TERRITORY GOVERNMENT  
 DEPARTMENT OF INFRASTRUCTURE, PLANNING & LOGISTICS  
 Level 4, Highway House, Palmerston Circuit, Palmerston  
 PO Box 61, Palmerston NT 0831  
 Signed: *Jorge Mu* 02/10/18  
 Registration No.: 33896ES



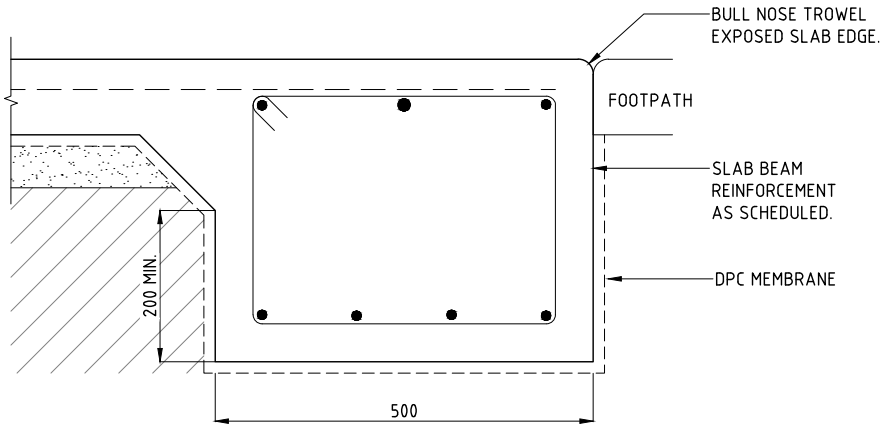
TYPICAL SLAB BEAM CORNER DETAIL

DETAIL 4  
SCALE A



TYPICAL SLAB BEAM "IB1" DETAIL

SECTION 1  
SCALE A



TYPICAL SLAB BEAM "EB1" DETAIL



DRAWING IS TYPICAL ONLY. OBTAIN BUILDING PERMIT BEFORE CONSTRUCTION.

No.	DESCRIPTION	DATE	NAME	DEPT/COMPANY
2	REISSUED AS STANDARD DRAWING	OCT 2018	N.V.	EES/DIPL
1	MINOR AMENDMENT, IB1 DETAIL ADDED	APR 2018	N.V.	EES/DIPL
0	ISSUED AS A STANDARD DRAWING	SEPT 2017	J.LEESON	EES/DIPL

AMENDMENTS

**WARNING**  
 BEWARE OF UNDERGROUND SERVICES.  
 THE LOCATIONS OF UNDERGROUND SERVICES ARE APPROXIMATE ONLY AND THEIR EXACT POSITION SHOULD BE PROVEN ON SITE. NO GUARANTEE IS GIVEN THAT ALL EXISTING SERVICES ARE SHOWN.

DRAWN	CARDNO	CHECKED	CARDNO
DATE	14.02.17	DATE	14.02.17
DESIGNED	CARDNO	CHECKED	CARDNO
DATE	14.02.17	DATE	14.02.17
DESIGN LEADER	S.HATZI <th>DESIGN DIRECTOR</th> <td>S.JACKSON </td>	DESIGN DIRECTOR	S.JACKSON
DATE	15/09/2017	DATE	15/09/2017



STANDARD DRAWINGS					
BUS SHELTERS & ASSOCIATED INFRASTRUCTURE					
SHELTER - TYPE 14B - 4 BAY					
SLAB LAYOUT PLAN AND DETAIL (OPTION 1)					
FILE No.	ASSET No.	SHEET No.	DRAWING No.	AMEND.	SHEET SIZE
-	-	4 OF 6	CS-3707	2	A1