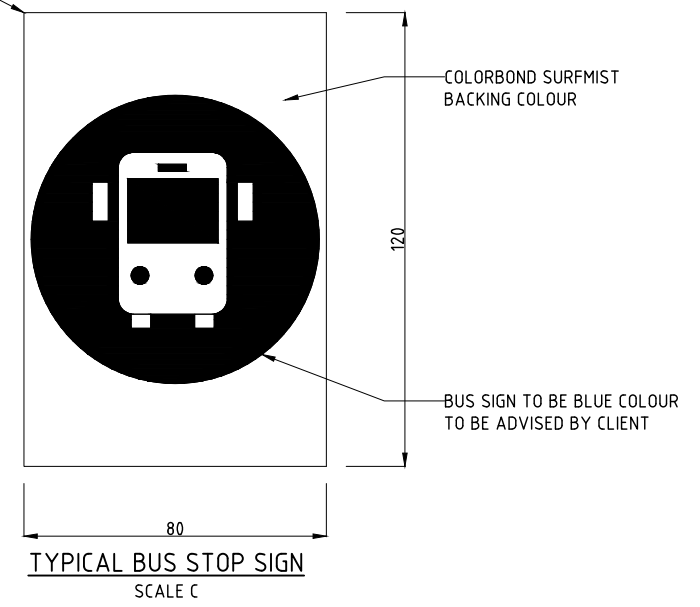
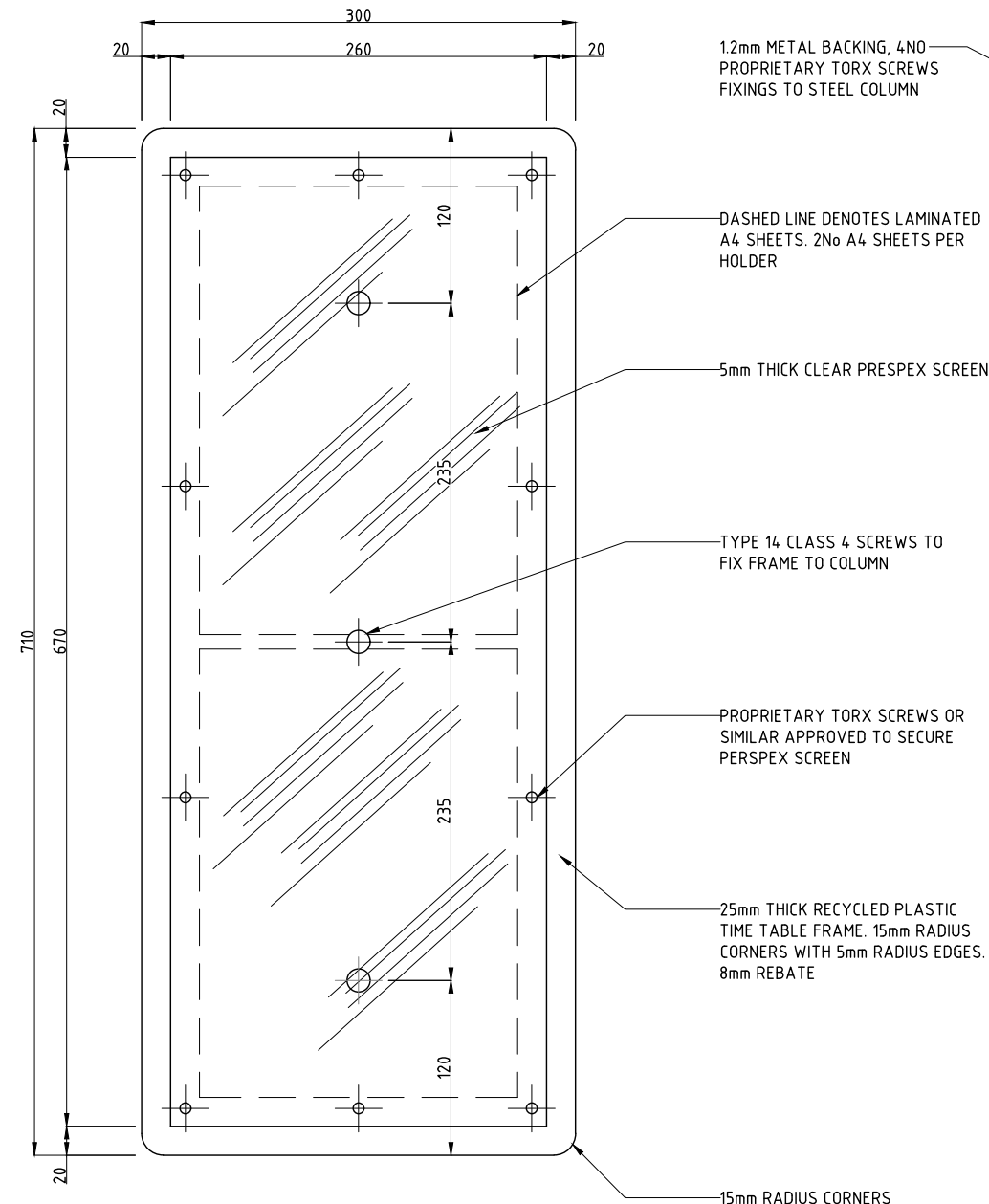
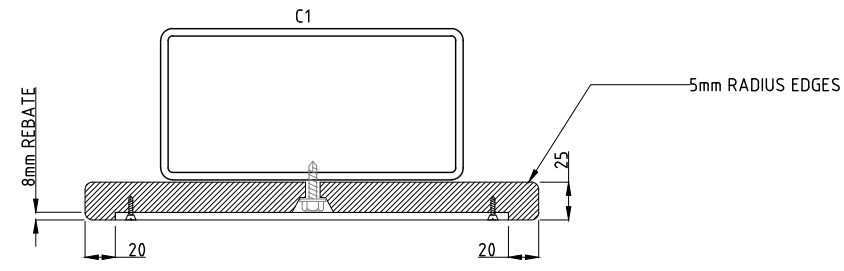


TYPICAL SEAT DETAIL
SCALE B
TYPICAL COLOUR TO POST AND FRAME AUS STD N24 - SILVER GREY

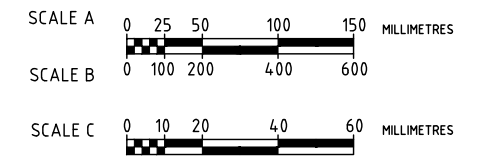


TYPICAL BUS STOP SIGN
SCALE C



TYPICAL TIME TABLE HOLDER DETAIL
SCALE A

CONCURRED STRUCTURAL ONLY
NORTHERN TERRITORY GOVERNMENT
DEPARTMENT OF INFRASTRUCTURE, PLANNING & LOGISTICS
Level 4, Highway House, Palmerston Circuit, Palmerston
PO Box 61, Palmerston NT 0831
Signed: *Jorge Ma* 02/10/18
Registration No.: 33896ES



DRAWING IS TYPICAL ONLY. OBTAIN BUILDING PERMIT BEFORE CONSTRUCTION.

No.	DESCRIPTION	DATE	NAME	DEPT/COMPANY
2	AMENDED TITLE BLOCK	OCT 2018	N.V.	EES/DIPL
1	MINOR AMENDMENT	APR 2018	N.V.	EES/DIPL
0	ISSUED AS A STANDARD DRAWING	SEPT 2017	J.LEESON	EES/DIPL
AMENDMENTS				

WARNING
BEWARE OF UNDERGROUND SERVICES.
THE LOCATIONS OF UNDERGROUND SERVICES ARE APPROXIMATE ONLY AND THEIR EXACT POSITION SHOULD BE PROVEN ON SITE. NO GUARANTEE IS GIVEN THAT ALL EXISTING SERVICES ARE SHOWN.

DRAWN RAW DATE 07.02.17	CHECKED RAW DATE 07.02.17
DESIGNED RAW DATE	CHECKED RAW DATE
DESIGN LEADER S.HATZI DATE 15/09/2017	DESIGN DIRECTOR S.JACKSON DATE 15/09/2017



STANDARD DRAWINGS BUS SHELTERS & ASSOCIATED INFRASTRUCTURE				
SHELTER - TYPE 15 (TITAN ROOF SYSTEM) MISCELLANEOUS DETAILS				
FILE No.	ASSET No.	SHEET No.	DRAWING No.	AMEND.
-	-	4 OF 4	CS-3716	2
			SHEET SIZE	A1