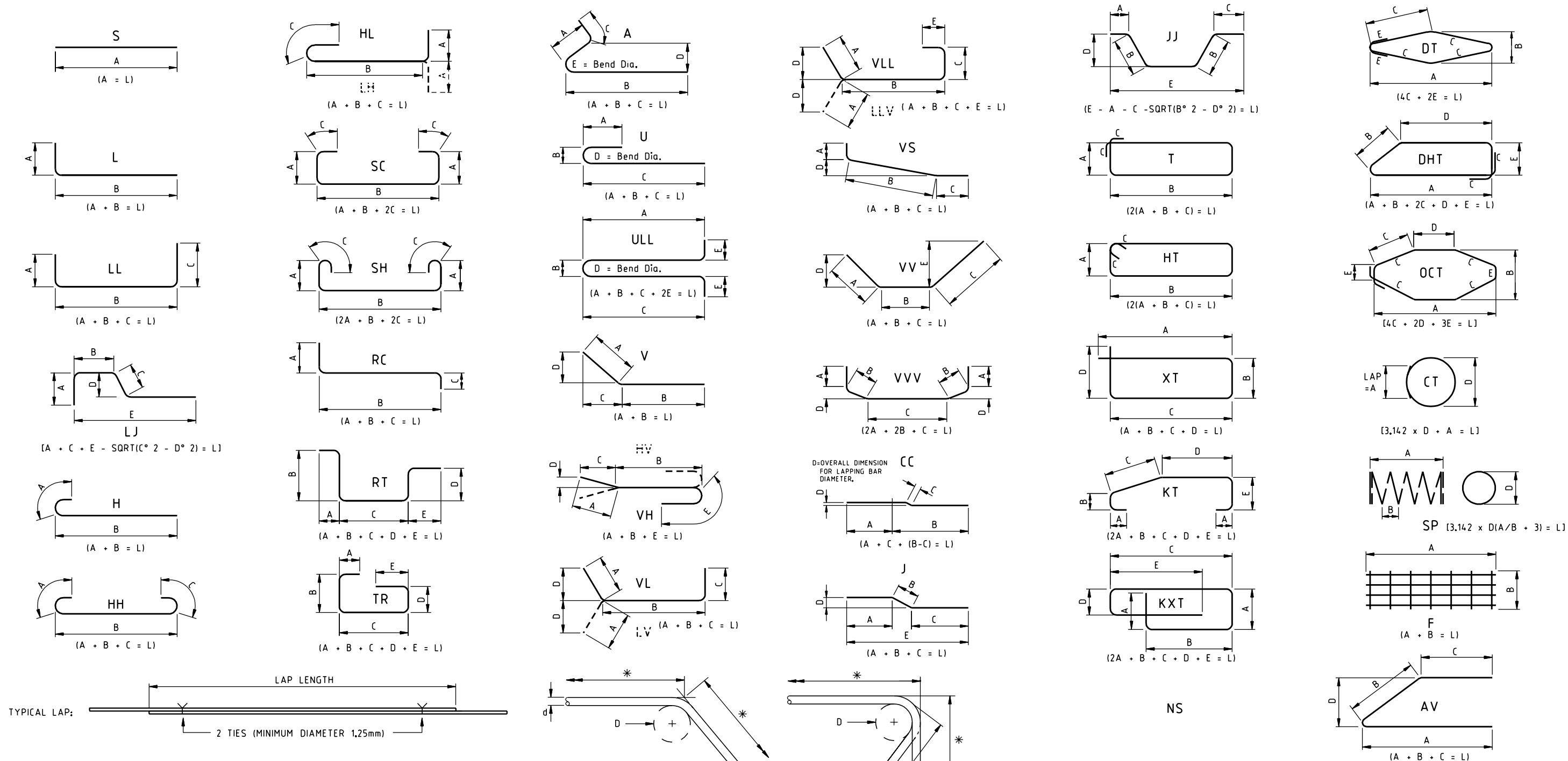


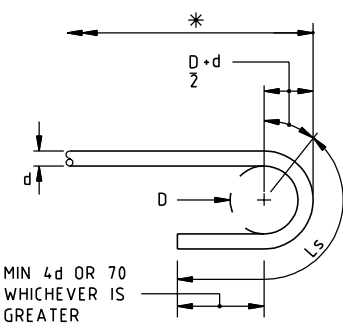
30/05/2002 09:06:15 AM H:\KITS\STANDARDS\6 Bridges\C(S)1700-A.dgn



BAR DIAMETER	12	16	20	24	28	32	36
LAP LENGTH TOP BARS	375	500	750	950	1250	1600	1900
LAP LENGTH OTHER BARS	300	400	600	750	1000	1250	1500

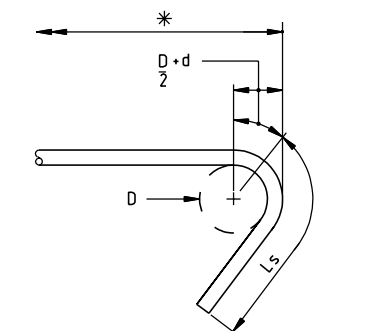
TYPE OF BAR	MINIMUM DIAMETER OF BEND (D)	MINIMUM LENGTH OF BAR (Ls) TO FORM HOOKS						
		BAR SIZE (d mm)						
		12	16	20	24	28	32	36
FITMENTS	4d	140	170	200	230	270	300	340
OTHER BARS	5d	160	180	220	260	300	340	380
COATED BARS	8d	200	240	290	340	390	440	500

OBTUSE ANGLE BEND



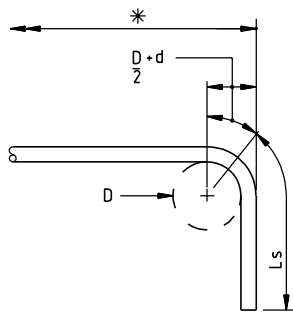
180° HOOK

ACUTE ANGLE AND 90° BEND



135° HOOK

* DENOTES DIMENSION GIVEN ON BAR SCHEDULE



COG

NOTES:

1. ALL BARS DESIGNATED AS TYPE "N" SHALL BE GRADE 500N TO AS 4671.
2. ALL BARS DESIGNATED AS TYPE "N" SHALL BE GRADE 250N TO AS 4671.
3. PROVIDE REINFORCING FABRIC TO AS 1304.
4. ONLY WELD REINFORCEMENT WITH THE APPROVAL OF SUPERINTENDANT AND TO AS 1554.3.
5. POSITION LAPS AWAY FROM POINTS OF MAXIMUM STRESS OR PROVIDE LAP LENGTH EQUAL TO 1.3 TIMES LENGTH GIVEN IN TABLE.
6. TIE ALL BAR INTERSECTIONS WITH 1.25mm DIA. ANNEALED WIRE.
7. DIMENSIONS ARE TO THE INTERSECTION OF STRAIGHT PORTIONS ALONG THE OUTSIDE OF BARS EXCEPT WHERE SHOWN OTHERWISE.
8. LENGTHS OF BARS ARE TO BE THE ADDITION OF APPROPRIATE OUTSIDE DIMENSIONS WITH ALLOWANCE FOR HOOKS AND COGS BUT NO ALLOWANCE FOR BENDS OR ROLLING MARGIN.
9. NS DENOTES NON STANDARD BAR SHAPE
10. TOP BARS ARE NORMALLY HORIZONTAL BARS WITH MORE THAN 300mm OF CONCRETE BELOW THE BARS.

A.	DEPARTMENT LOGO CHANGED.	5/02	K.S.
No.	DESCRIPTION	DATE	INIT.
AMENDMENTS			

DRAWN	J.F. LOUDON	CHECKED	
DATE	18/3/2002	DATE	
DESIGNED		CHECKED	
DATE		DATE	
DESIGN PROJECT LEADER		PROJECT OFFICER	G.A. Curran
DATE		DATE	20/3/2002


Northern Territory Government
 Department of Infrastructure, Planning and Environment

STANDARD DRAWING			
NORTHERN TERRITORY BRIDGES			
STANDARD BAR SHAPES			
SCALE	SHEET No.	DRAWING NUMBER	AMEND. SHEET SIZE
	1 OF 1	C(S)1700	A A1