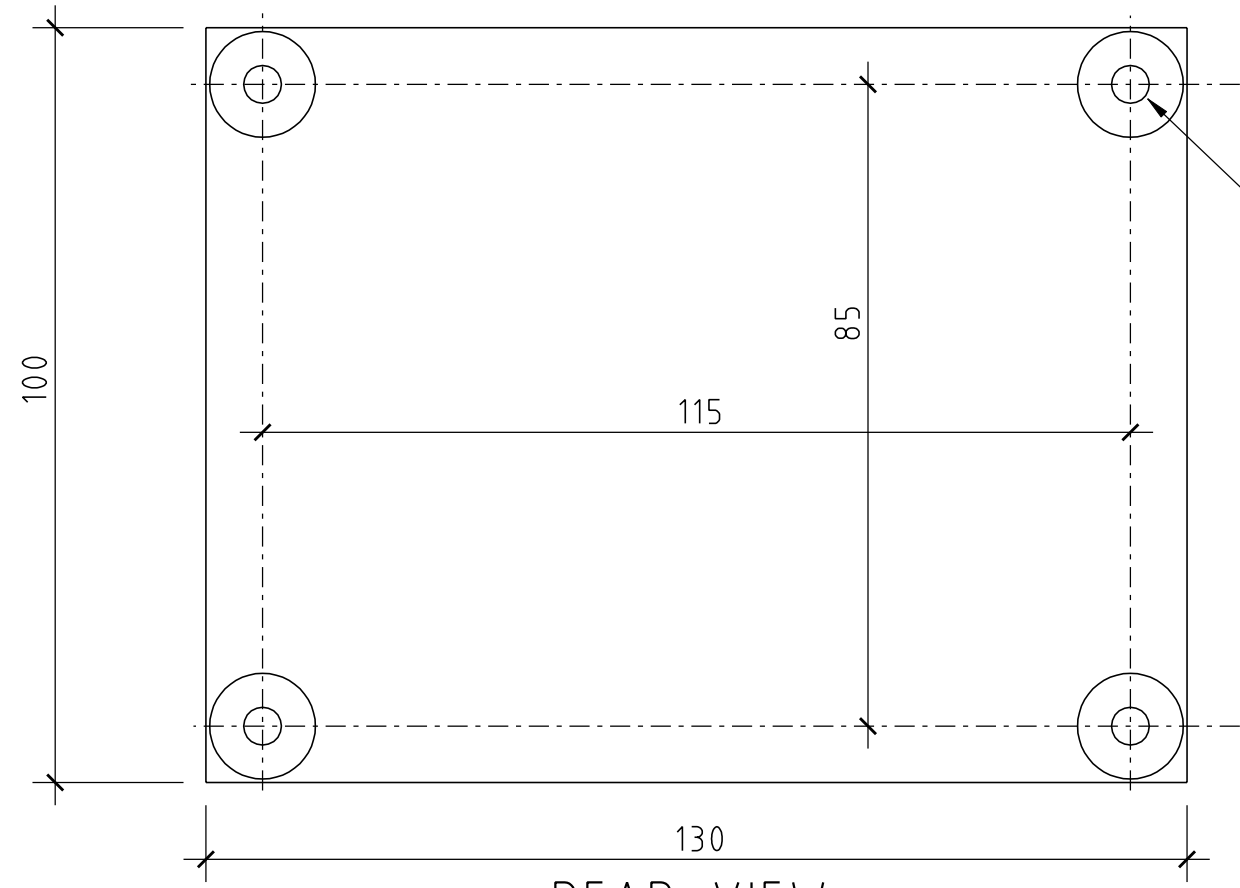


FRONT VIEW



REAR VIEW

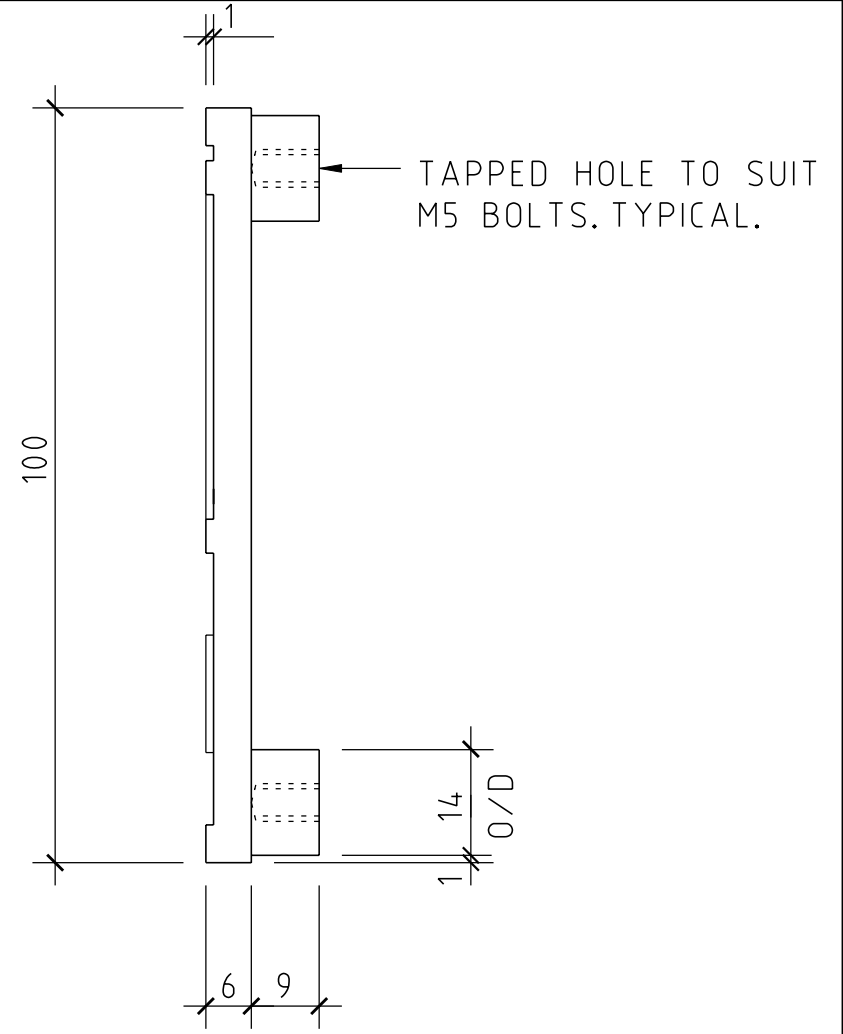
RAISED SMOOTH & SHINING FINISH.

DARK BROWN FINISH TO CASTING.

RAISED SMOOTH & SHINING FINISH.

5 TYP.

TAPPED HOLE TO SUIT M5 BOLTS. TYPICAL.



TYPICAL SECTION

NOTES:-

1. MATERIAL TO BE CAST BRONZE.
2. SUBSTITUTE THE APPROPRIATE DATE WHEN BRIDGE IS EXPECTED TO BE CONSTRUCTED.
3. SUPPLY PLATE WITH 4 NO. M5 BRASS THREADED RODS 60mm LONG.

30/05/2002 09:23:35 AM H:\KITS\STANDARDS\6 Bridges\C(S)1701-A.dgn

No.	DESCRIPTION	DATE	INIT.
A	REDRAWN WITH REVISED LOGO AND NOTE 3 ADDED	18/3/2002	J.F.L.
AMENDMENTS			

DRAWN J.F. LOUDON	CHECKED
DATE 18/3/2002	DATE
DESIGNED	CHECKED
DATE	DATE
DESIGN PROJECT LEADER	PROJECT OFFICER <i>G.A. Curran</i>
DATE	DATE 20/3/2002


Northern Territory Government
 Department of Infrastructure, Planning and Environment

STANDARD DRAWING FOR NORTHERN TERRITORY BRIDGES			
STANDARD DATE PLATES FOR N.T. BRIDGES			
FILE No.	SHEET No. 1 OF 1	DRAWING NUMBER C(S)1701	AMEND. A
			SHEET SIZE A1