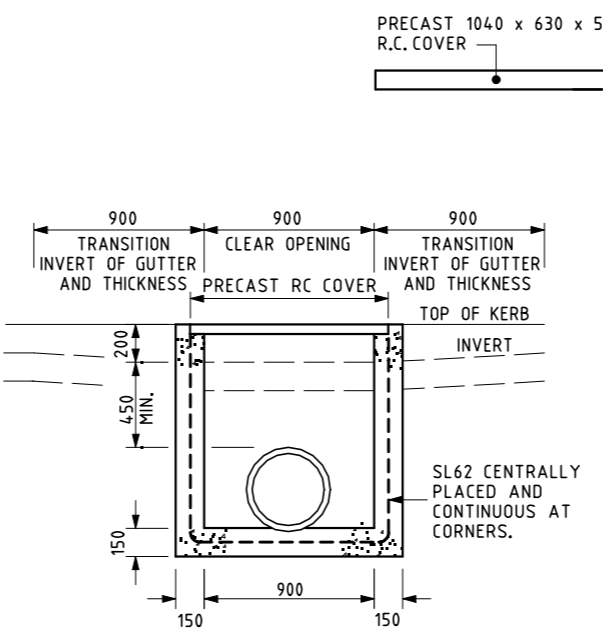


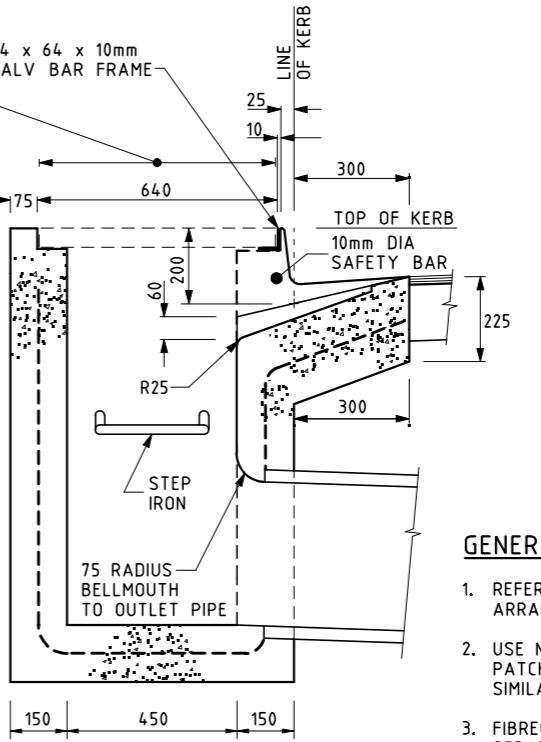
PLAN

SCALE = 1:40



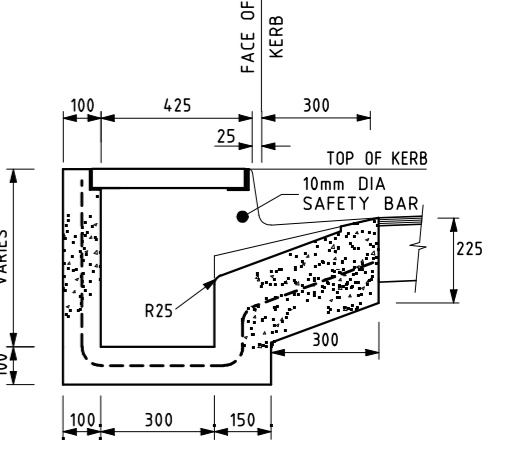
SECTION THROUGH 1 BAY SEP

SCALE = 1:40



SECTION A-A

SCALE = 1:20

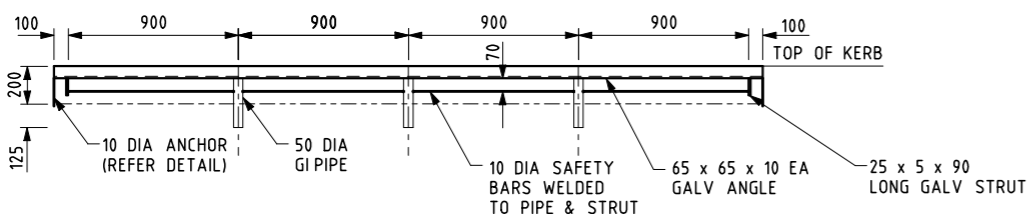


SECTION B-B

SCALE = 1:20

GENERAL NOTES

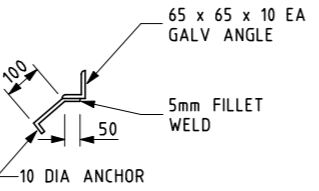
- REFER PROJECT DRAWINGS FOR ACTUAL PIPE LOCATION. ARRANGMENTS SHOWN IN THIS DRG ARE DIAGRAMMATIC ONLY.
- USE N25 CONCRETE TO AS 1379 AND AS 3600. FOR ANY PATCHING OF PITS USE MORTAR MIXED WITH 'LOKCRETE' OR SIMILAR.
- FIBRECRETE MAY BE USED HOWEVER IF USED WITHOUT SEPARATE WALL REINFORCEMENT THEN ENGINEERING OF WALL THICKNESS IS REQUIRED
- ALTERNATIVE - GATIC PROPRIETARY OR APPROVED EQUIVALENT FRAMES GRATES AND COVERS MAY BE USED. IF USED THEY SHALL BE OF APPROPRIATE LOADING CLASS FOR THEIR SITUATION AND INSTALLED IN ACCORDANCE WITH MANUFACTURES INSTRUCTIONS
- STEP IRONS TO BE PROVIDED IN ALL PITS DEEPER THAN 1000mm AND SHALL BE LOCATED DESIRABLY ON A LONG WALL WITHOUT PIPE OPENINGS
- STEP IRONS (SEE DETAIL) TO BE CAST INSITU AT 300 CTS. DEPTH TO TOP STEP & DEPTH FROM BOTTOM STEP TO INVERT NOT TO EXCEED 500mm
- ALL STEELWORK TO BE CLEANED AFTER FABRICATION & HOT DIPPED GALVANISED.
- SAG PITS DO NOT REQUIRE DEFLECTORS
- TRANSITION TO LAYBACK KERB
SAG PITS - 1m EITHER SIDE OF PIT
PITS ON GRADE- STRAIGHT 3m EITHER SIDE OF PIT
PITS ON GRADE - ON CURVE 1.5m EITHER SIDE OF PIT
- PROVIDE STABILISED BACKFILL ADJACENT TO ALL DRAINAGE STRUCTURES IN ACCORDANCE WITH DEPARTMENT OF INFRASTRUCTURE, PLANNING AND ENVIRONMENT STANDARD SPECIFICATIONS.



ELEVATION

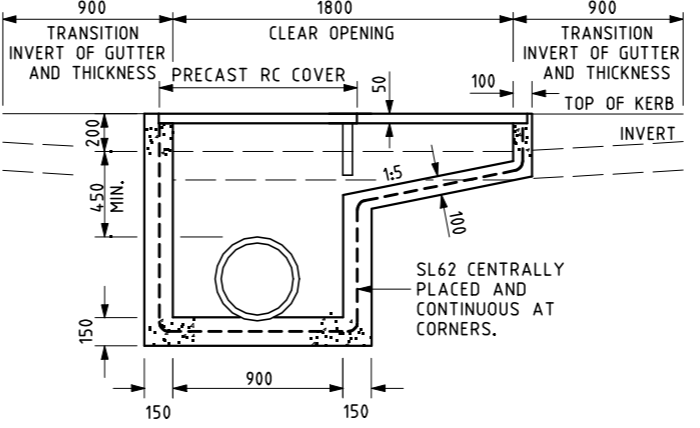
DETAIL OF GALV FRAME

SCALE = 1:40



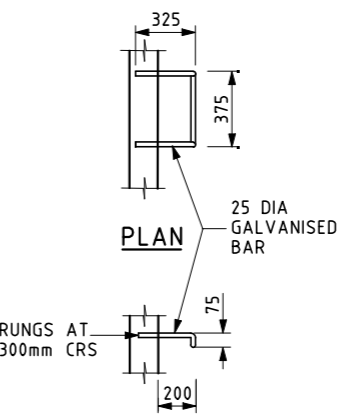
ANCHOR DETAIL

NOT TO SCALE



SECTION THROUGH 2 BAY SEP

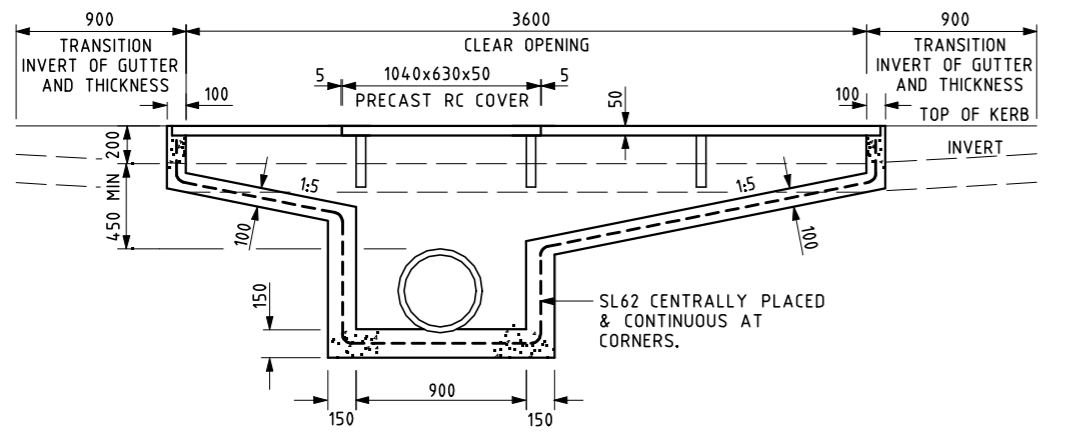
SCALE = 1:40



ELEVATION

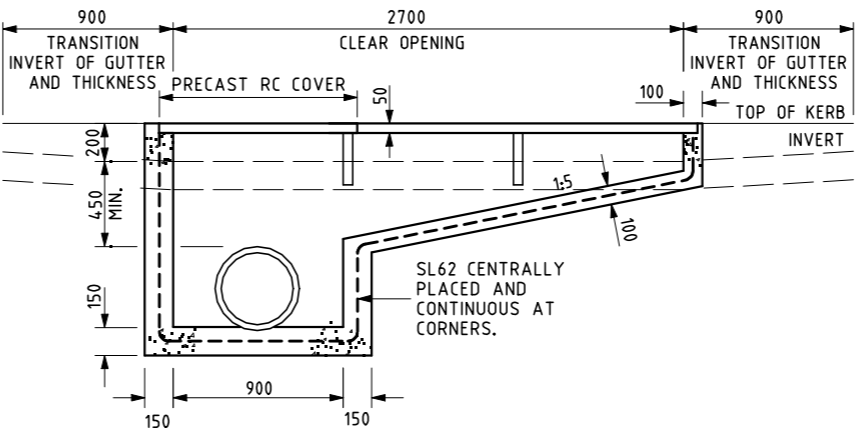
STEP IRON DETAIL

SCALE = 1:40



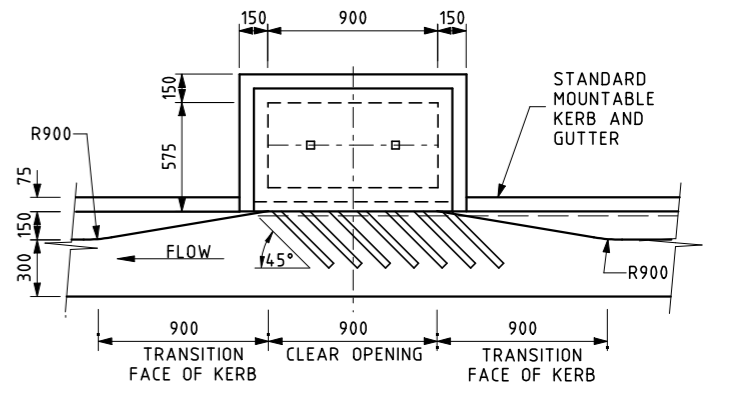
SECTION THROUGH 4 BAY SEP

SCALE = 1:40



SECTION THROUGH 3 BAY SEP

SCALE = 1:40



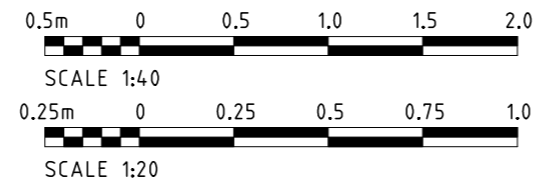
PLAN

MOUNTABLE KERB AND GUTTER TYPE SEP

SCALE = 1:40

15/01/2007 3:38:55 PM X:\CIVIL STANDARD DRAWINGS\1 DRAINAGE\C(S)1006 - 1.dgn

REPLACES C(S)1001			
1	GENERAL NOTES; STEEL NOTES AND SECTION A - A UPDATED.	8/7/03	S.M.
No.	DESCRIPTION	DATE	INIT.
	AMENDMENTS		



DRAWN	CHECKED
DATE	A.DAVIS
DESIGNED	DATE
	JUNE 2000
DATE	CHECKED
	S.DAVIS
DESIGN PROJECT LEADER	DATE
William M... ..	JUNE 2000
DATE	PROJECT OFFICER

Northern Territory Government
Department of Planning and Infrastructure

STANDARD DRAWING
STANDARD SIDE ENTRY PITS
TYPE 1

FILE No.	ASSET No.	SHEET No.	DRAWING No.	AMEND.	SHEET SIZE
		1 OF 1	C(S)1006 - 1		A1