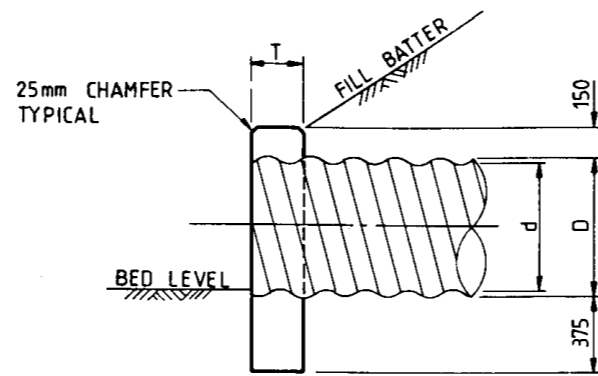
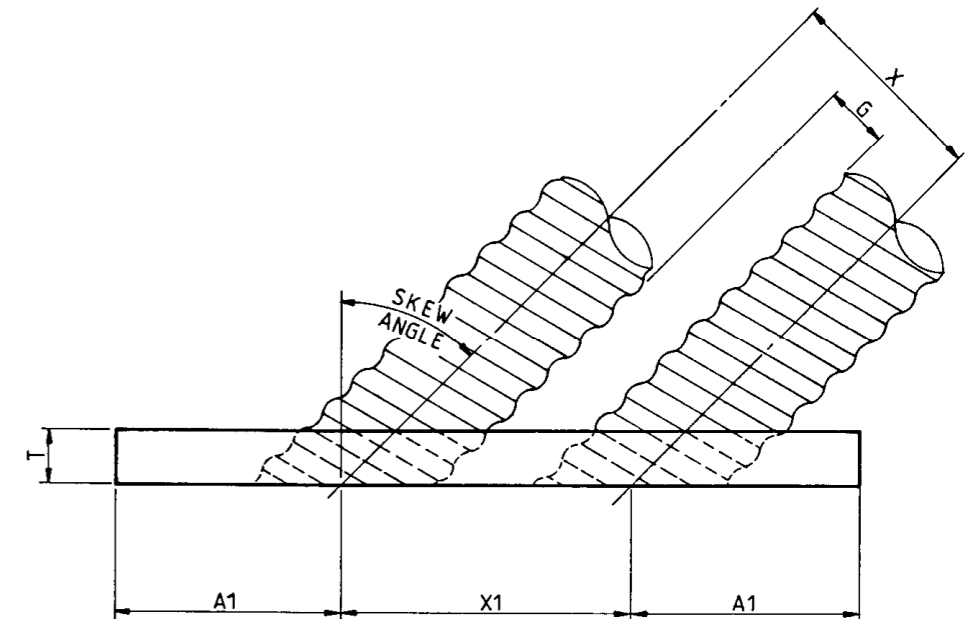


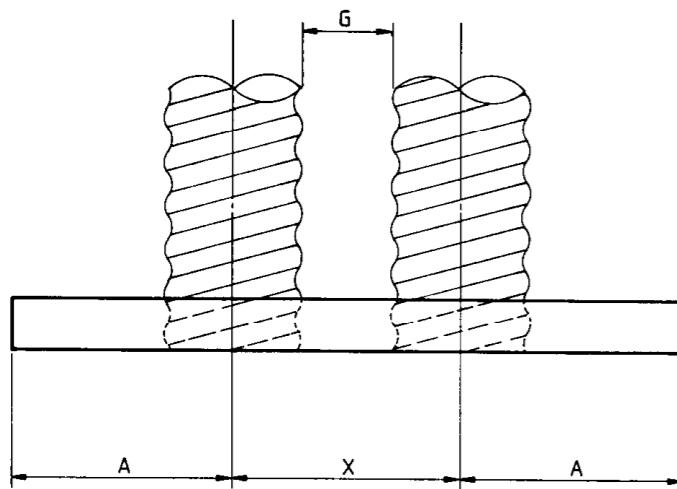
ELEVATION



SECTION A-A



PLAN - 15° TO 45° SKEW



PLAN - SKEW 0°

GENERAL NOTES:

1. ALL DIMENSIONS ARE IN MILLIMETRES.
2. Q = CUBIC METRES OF CONCRETE REQUIRED FOR TWO ENDWALLS FOR SINGLE CELL.
3. AC = CUBIC METRES OF CONCRETE REQUIRED FOR EACH ADDITIONAL CELL FOR TWO ENDWALLS.
4. PROVIDE 50 NB WEEPHOLES WITH AN APPROVED GEOTEXTILE BACKING ON A 2m GRID IN HEADWALLS. FIRST ROW OF WEEPHOLES SHALL BE AT CULVERT INVERT LEVEL.
5. PROVIDE 300 THICK LAYER OF FREE DRAINING 20mm NOMINAL SIZE AGGREGATE TO FULL HEIGHT BEHIND ENDWALLS.

NOMINAL PIPE SIZE (d)	SKEW 0°								SKEW 15°								SKEW 30°								SKEW 45°							
	D	H	A	X	G	T	Q	AC	D	H	A1	X1	G	T	Q	AC	D	H	A1	X1	G	T	Q	AC	D	H	A1	X1	G	T	Q	AC
300	330	860	530	630	300	250	0.42	0.23	AS FOR 0°	AS FOR 0°	540	650	AS FOR 0°	AS FOR 0°	0.42	0.24	AS FOR 0°	AS FOR 0°	0.45	0.27	AS FOR 0°	AS FOR 0°	0.47	0.34	AS FOR 0°	AS FOR 0°	610	890	AS FOR 0°	AS FOR 0°	0.63	0.41
375	410	940	660	710	300	250	0.56	0.27			680	740			710	820			0.58	0.29			760	1000			0.63	0.41				
450	480	1010	790	780	300	250	0.77	0.31			810	810			840	900			0.73	0.32			900	1100			0.79	0.47				
600	630	1160	1050	950	300	250	1.07	0.40			1080	960			1050	1130			1.10	0.42			1200	1320			1.18	0.64				

16/01/2007 9:00:05 AM X:\CIVIL STANDARD DRAWINGS\2 CULVERTS\C(S)1116-2\C(S)1116 - 2.dgn

2.	DRAWING CONVERTED TO ELECTRONIC FORMAT & DEPARTMENT LOGO CHANGED	02/2003	K.S.
1.			
No.	DESCRIPTION	DATE	INIT.
AMENDMENTS			

DRAWN	CHECKED
DATE DESIGNED	DATE CHECKED
DATE	DATE
DESIGN PROJECT LEADER	PROJECT OFFICER
<i>Blair</i>	<i>D. J. Toll</i>
DATE 29 MAR 2004	DATE 29 MAR 2004



STANDARD DRAWING
PLAIN ENDWALLS TO
HELICAL LOCK SEAM PIPE CULVERTS
300mm TO 600mm DIAMETER

FILE No.	ASSET No.	SHEET No.	DRAWING No.	AMEND.	SHEET SIZE
		2 OF 4	C(S)1116-2		A1