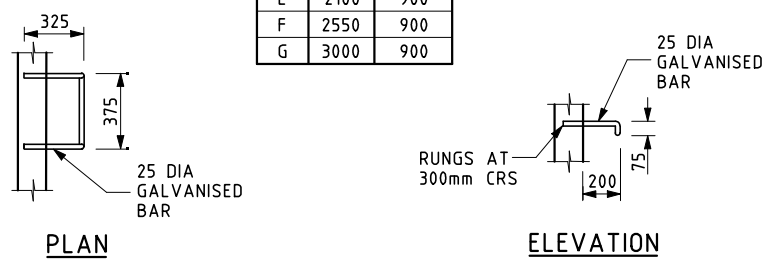
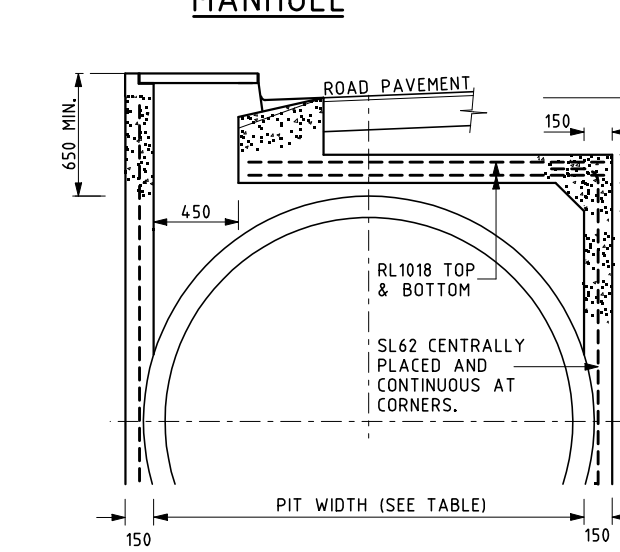
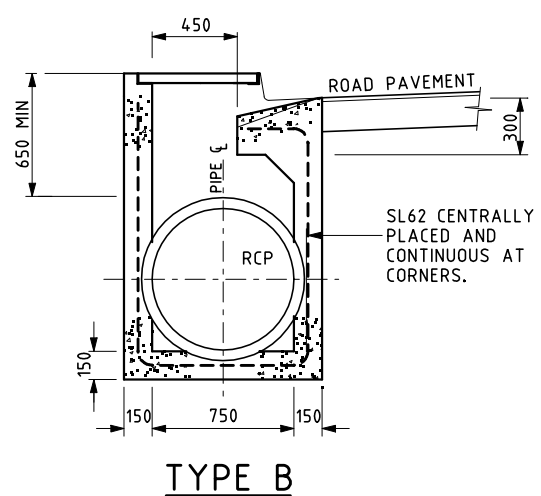
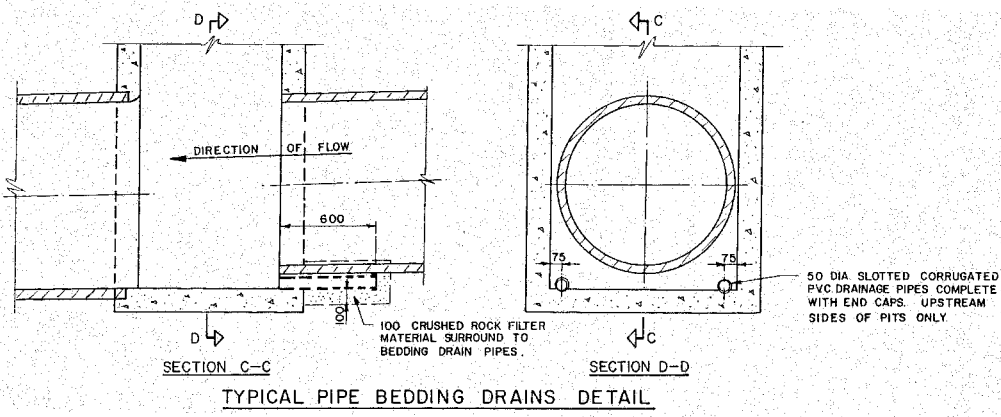
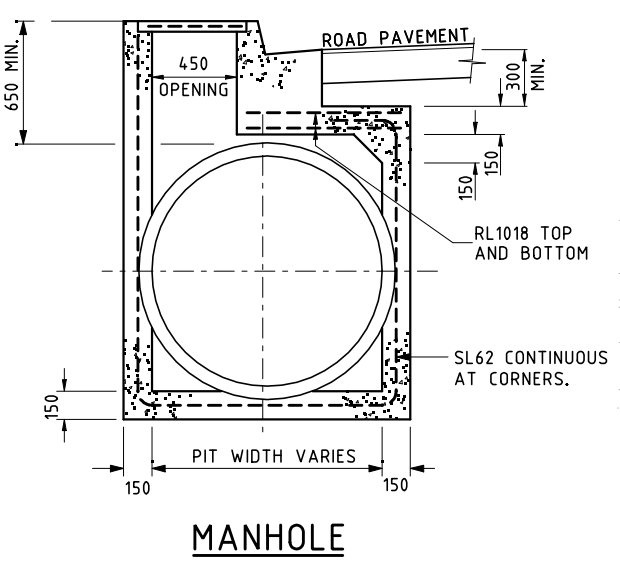
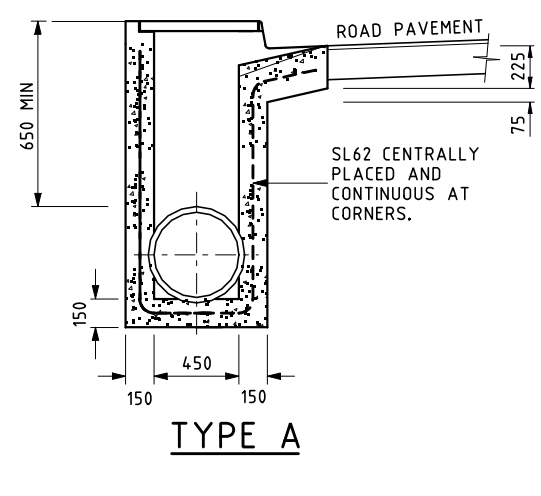
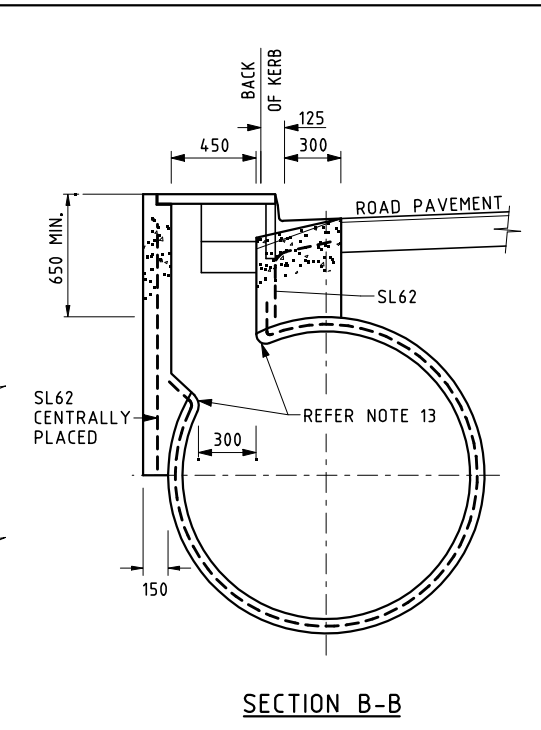
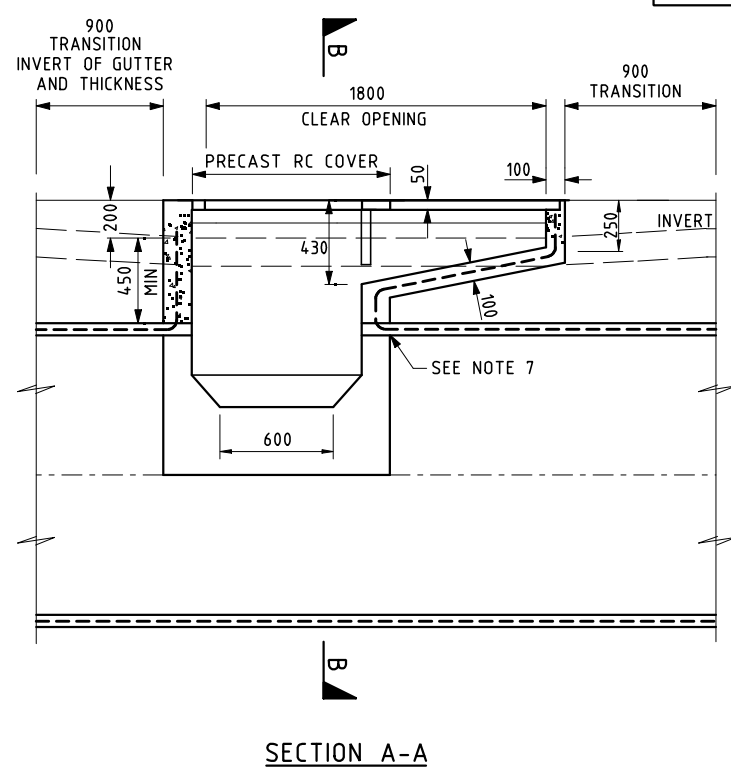
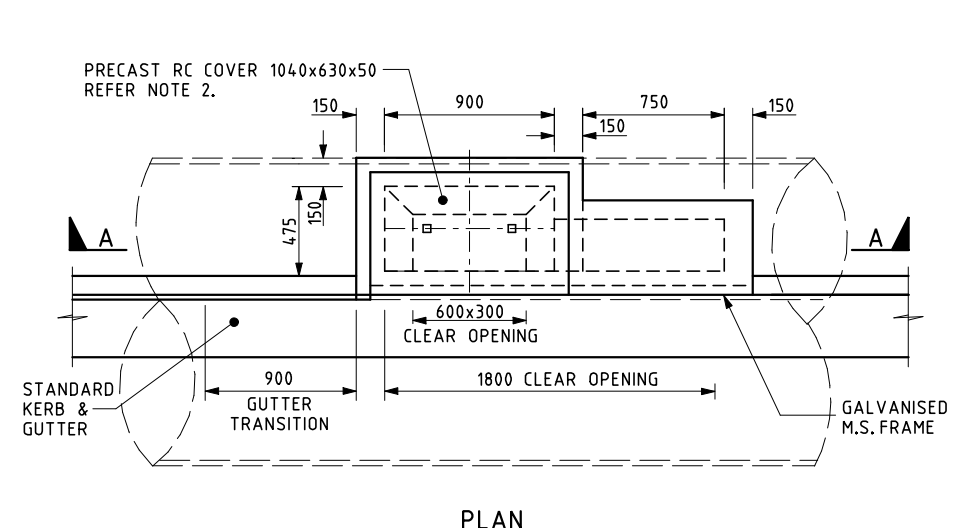
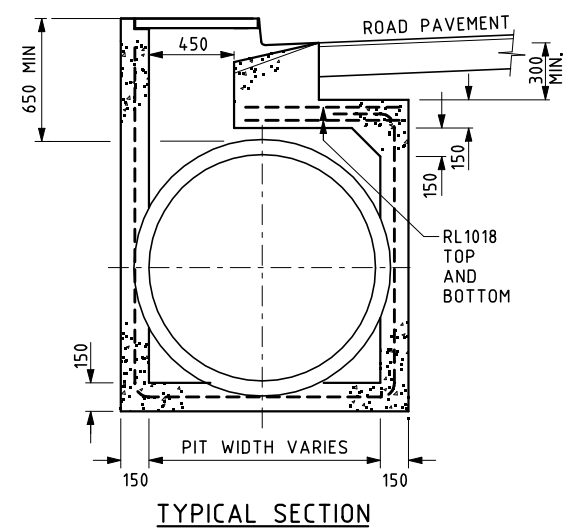


**GENERAL NOTES**

1. POSITION OF PIPE CENTRELINE PARALLEL TO KERB IS RELATED TO PIPE SIZE.
2. REINFORCEMENT IN PRECAST CONCRETE COVER TO BE RL1018.
3. REINFORCEMENT IN ROOF SLAB OF TYPE C, D, E, F & G TO BE RL1018.
4. REFER PROJECT DRAWINGS FOR ACTUAL PIPE LOCATION. ARRANGMENTS SHOWN IN THIS DRG ARE DIAGRAMMATIC ONLY.
5. USE N25 CONCRETE TO AS 1379 AND AS 3600. FOR ALL PATCHING OF PITS USE MORTAR MIX WITH 'LOKCRETE' OR SIMILAR.
6. FIBRECRETE MAY BE USED HOWEVER IF USED WITHOUT SEPARATE WALL REINFORCEMENT THEN ENGINEERING OF WALL THICKNESS IS REQUIRED
7. **ALTERNATIVE** - GATIC PROPRIETARY OR APPROVED EQUIVALENT FRAMES GRATES AND COVERS MAY BE USED. IF USED THEY SHALL BE OF APPROPRIATE LOADING CLASS FOR THEIR SITUATION AND INSTALLED IN ACCORDANCE WITH MANUFACTURES INSTRUCTIONS
8. STEP IRONS TO BE PROVIDED IN ALL PITS DEEPER THAN 1000mm AND SHALL BE LOCATED DESIRABLY ON A LONG WALL WITHOUT PIPE OPENINGS
9. STEP IRONS (SEE DETAIL) TO BE CAST INSITU AT 300 CTS. DEPTH TO TOP STEP & DEPTH FROM BOTTOM STEP TO INVERT NOT TO EXCEED 500mm
10. ALL STEELWORK TO BE CLEANED AFTER FABRICATION & HOT DIPPED GALVANISED.
11. SAG PITS DO NOT REQUIRE DEFLECTORS
12. TRANSITION TO LAYBACK KERB  
SAG PITS - 1m EITHER SIDE OF PIT  
PITS ON GRADE- STRAIGHT 3m EITHER SIDE OF PIT  
PITS ON GRADE - ON CURVE 1.5m EITHER SIDE OF PIT
13. BEND PIPE REINFORCEMENT BACK INTO PIT WALL REMOVE CONCRETE OVER PIPE REINFORCEMENT TO ACHIEVE THIS.
14. PROVIDE STABILISED BACKFILL ADJACENT TO ALL DRAINAGE STRUCTURES IN ACCORDANCE WITH DEPARTMENT OF INFRASTRUCTURE, PLANNING AND ENVIRONMENT STANDARD SPECIFICATIONS.

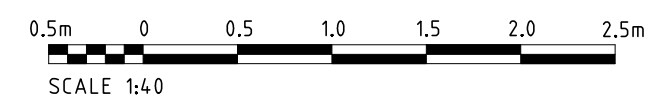


TYPE	PIT WIDTH	PIT LENGTH
A	450	900
B	750	900
C	1200	900
D	1650	900
E	2100	900
F	2550	900
G	3000	900



15/09/2007 3:44:28 PM X:\T\W\STANDARD DRAWINGS\DRAWINGS\ESTIMOT\ESTIMOT-3.dwg

REPLACES C(S)1002			
3	TYPICAL PIPE BEDDING DRAINS DETAIL INCLUDED	5/06	K.S.
2	GENERAL NOTES & DIMENSIONS UPDATED.	11/8/03	S.M.
1	GENERAL NOTES, HEADINGS & STEEL NOTES UPDATED.	8/7/03	S.M.
No.	DESCRIPTION	DATE	INIT.
AMENDMENTS			



DRAWN	CHECKED
DATE DESIGNED	DATE CHECKED
DATE DESIGN PROJECT LEADER	DATE PROJECT OFFICER
DATE	DATE

  
**Northern Territory Government**  
 Department of Planning and Infrastructure

STANDARD DRAWING STANDARD SIDE ENTRY PIT DETAILS TYPE 1				
FILE No.	ASSET No.	SHEET No.	DRAWING No.	AMEND.
		1 OF 1	C(S)1007	-3
				SHEET SIZE A1