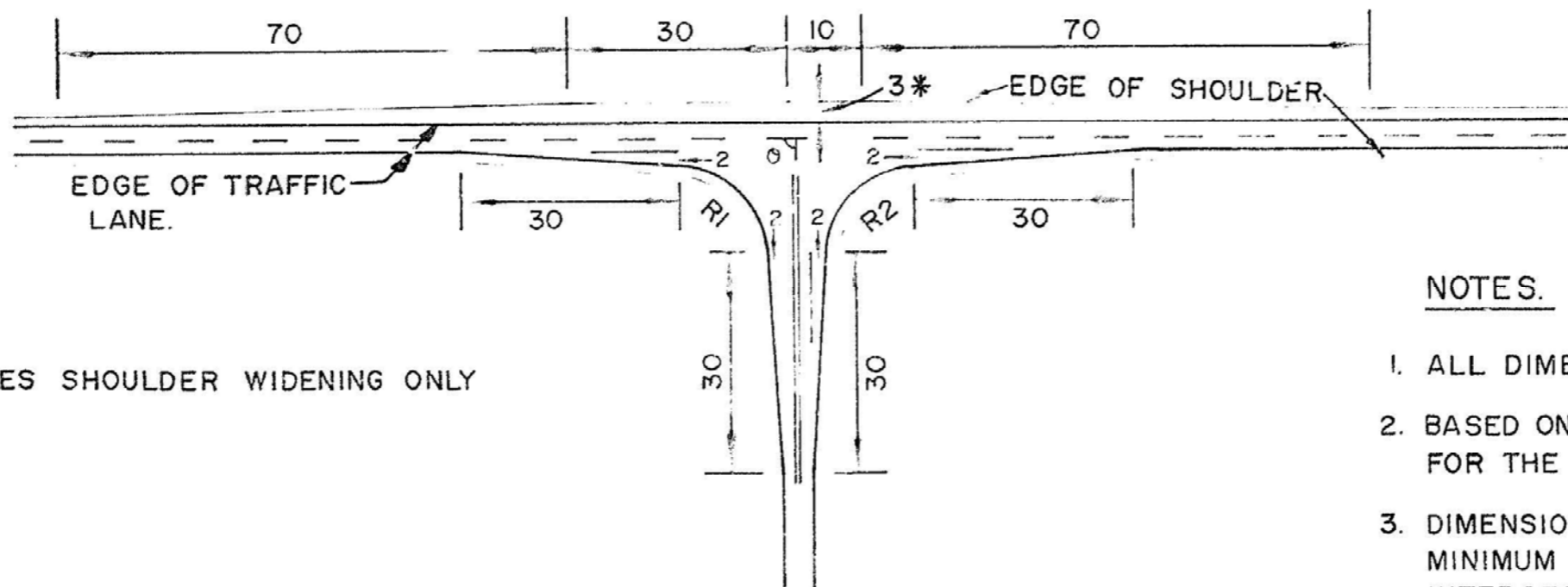


θ	R1	R2
70°-80°	9	15
80°-100°	12	12
100°-110°	15	9

TYPE 1



* DENOTES SHOULDER WIDENING ONLY

TYPE 2

NOTES.

1. ALL DIMENSIONS ARE IN METRES.
2. BASED ON NAASRA PUBLICATION - INTERIM GUIDE FOR THE DESIGN OF INTERSECTIONS AT GRADE.
3. DIMENSIONS SHOWN ARE TO BE REGARDED AS MINIMUM DESIRABLE TREATMENT ONLY. EACH INTERSECTION MAY HAVE SPECIAL REQUIREMENTS NECESSITATING DEVIATION FROM THESE STANDARDS.

FOR INFORMATION ONLY

DERIVED FROM R82-1881
(FOR INFORMATION PURPOSES ONLY)

DRAWN	CHECKED
DATE DESIGNED	DATE CHECKED
DATE DESIGN PROJECT LEADER	DATE PROJECT OFFICER
DATE	DATE



STANDARD DRAWING
ROAD DEVELOPMENT STANDARDS
GUIDE TO RURAL INTERSECTION TREATMENTS
SHEET 1 - TYPES 1 & 2.

FILE No.	ASSET No.	SHEET No.	DRAWING No.	AMEND.	SHEET SIZE
		1 OF 2	C(S)1842-0		A1

No.	DESCRIPTION	DATE	NAME	DEPT./COMPANY
AMENDMENTS				