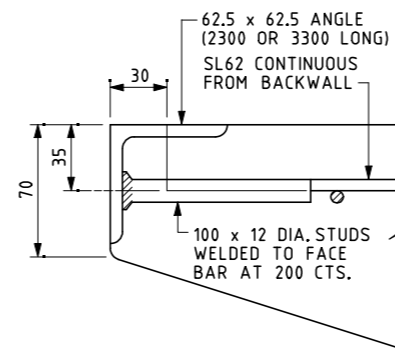
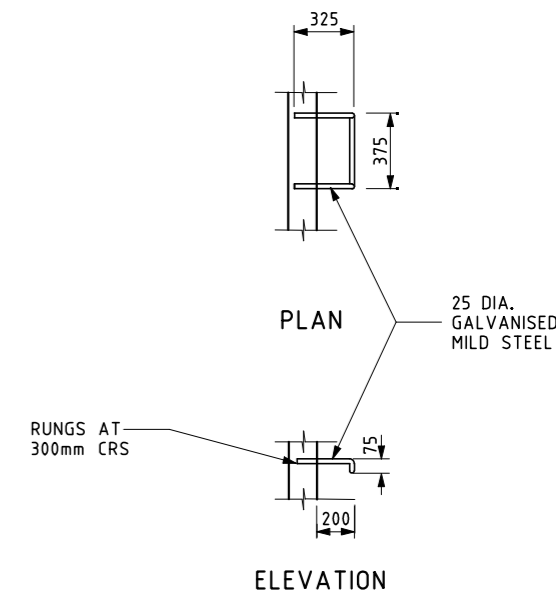


PLAN

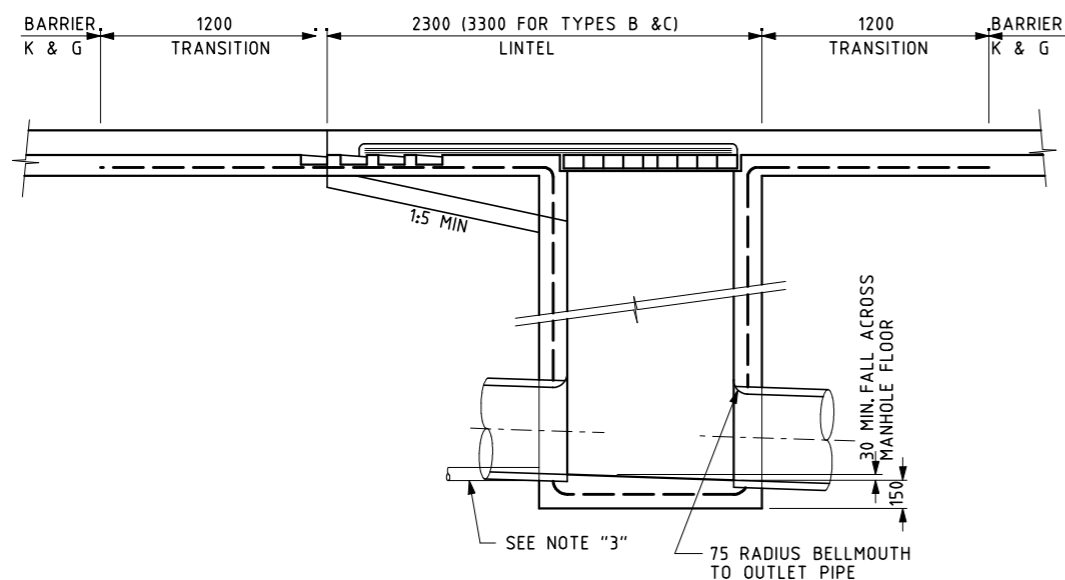


DETAIL C

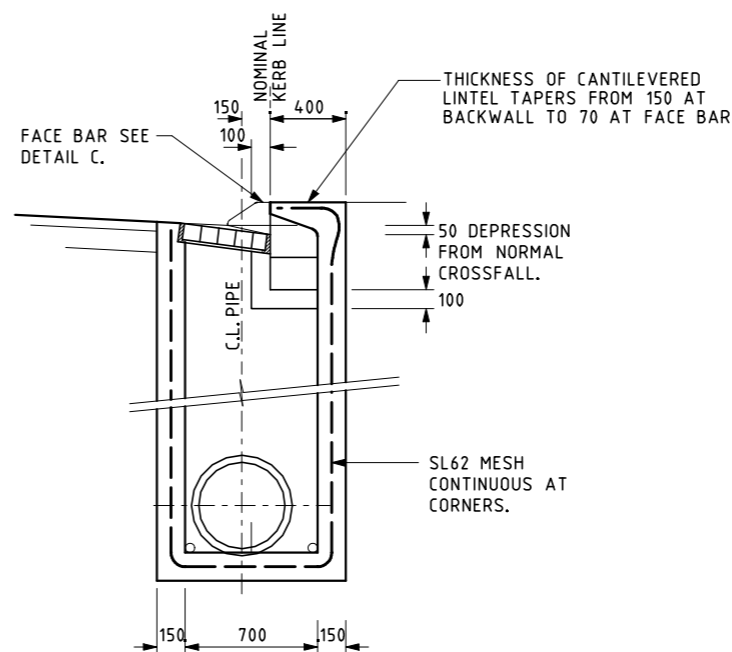
PIT TYPES	
TYPE "A"	AS SHOWN.
TYPE "B"	AS SHOWN, BUT LINTEL LENGTH = 3300.
TYPE "C" (SAG)	LINTEL LENGTH = 3300. GRATE CENTRALLY POSITIONED WITH ENTRIES EITHER SIDE GUTTER DEFLECTORS NOT REQUIRED.



STEP IRON DETAIL



SECTION A-A

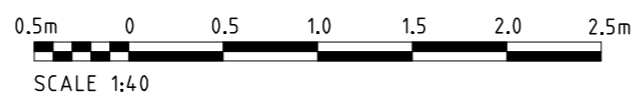


SECTION B-B

GENERAL NOTES

1. REFER PROJECT DRAWINGS FOR ACTUAL PIPE LOCATION. ARRANGMENTS SHOWN IN THIS DRG ARE DIAGRAMMATIC ONLY.
2. USE N25 CONCRETE TO AS 1379 AND AS3600. FOR ANY PATCHING USE MORTAR MIXED WITH 'LOKCRETE' OR SIMILAR
3. FIBRECRETE MAY BE USED HOWEVER IF USED WITHOUT SEPARATE WALL REINFORCEMENT THEN ENGINEERING OF WALL THICKNESS IS REQUIRED
4. ALTERNATIVE - GATIC PROPRIETARY OR APPROVED EQUIVALENT FRAMES GRATES AND COVERS MAY BE USED, IF USED THEY SHALL BE OF APPROPRIATE LOADING CLASS FOR THEIR SITUATION AND INSTALLED IN ACCORDANCE WITH MANUFACTURES INSTRUCTIONS
5. STEP IRONS TO BE PROVIDED IN ALL PITS DEEPER THAN 1000mm AND SHALL BE LOCATED DESIRABLY ON A LONG WALL WITHOUT PIPE OPENINGS
6. STEP IRONS (SEE DETAIL) TO BE CAST INSITU AT 300 CTS. DEPTH TO TOP STEP & DEPTH FROM BOTTOM STEP TO INVERT NOT TO EXCEED 500mm
7. ALL STEELWORK TO BE CLEANED AFTER FABRICATION & HOT DIPPED GALVANISED.
8. ALL GRATES LOCATED IN THE ROADWAY OR TRAFFICED WAY ARE TO BE BICYCLE SAFE.
9. FACE BAR AND STEP IRONS ARE TO BE HOT DIPPED GALVANISED.
10. PROVIDE STABILISED BACKFILL ADJACENT TO ALL DRAINAGE STRUCTURES IN ACCORDANCE WITH DEPARTMENT OF INFRASTRUCTURE, PLANNING & ENVIRONMENT STANDARD SPECIFICATION.

STANDARD GRATED KERB OPENING PIT



15/01/2007 3:40:20 PM X:\CIVIL STANDARD DRAWINGS\1\ DRAINAGE\C(S)1008 - 1.dgn

REPLACES C(S)1003			
1	STEEL NOTES & GENERAL NOTES UPDATED.	AUG.2003	K.S.
No.	DESCRIPTION	DATE	INIT.
	AMENDMENTS		

DRAWN	CHECKED A.DAVIS
DATE	DATE JUNE 2000
DESIGNED	CHECKED S.DAVIS
DATE	DATE JUNE 2000
DESIGN PROJECT LEADER	PROJECT OFFICER
DATE	DATE


Northern Territory Government
 Department of Planning and Infrastructure

STANDARD DRAWING		STANDARD GRATED SIDE ENTRY PIT	
FILE No.	ASSET No.	SHEET No.	DRAWING No.
		1 OF 1	C(S)1008 -1
			AMEND. SHEET SIZE
			A1